

Submittal Data: TVRF-IEHESPD18KPH 24,000 BTU/h Duct with high ESP evaporator

Job Name	Location	Date
Purchaser	Engineer	
Submitted To	For <input type="checkbox"/> Reference <input type="checkbox"/> Approval <input type="checkbox"/> Construction	
Unit Designation	Schedule No.	

GENERAL FEATURES

- High Static Pressure Design
- Ease of Maintenance
- Convenient Installation
- Protection Function



Performance

Cooling	
Rated Capacity	18,080 BTU/h 5.3 kW
Heating	
Rated Capacity	20,130 BTU/h 5.9 kW
-ch	
Rated (Range)	70 (0 ~ 100) Pa 0.28 (0 ~ 0.40) in.w.c

Unit Data

Fan	
Type x Qty	Centrifugal x 2
Output Power	150 W
Airflow	
High / Medium / Low	589/471/353 CFM 1000/800/600 m³/h
Sound Pressure Level	
High / Medium / Low	44/40/36 dB(A)
Dimensions & Weights	
Unit Dimensions(WxHxD)	50.04×10.55×21.97-in 1271×268×558 mm
Weight (Net/Gross)	77.2/88.2 LBS 35/40 kg

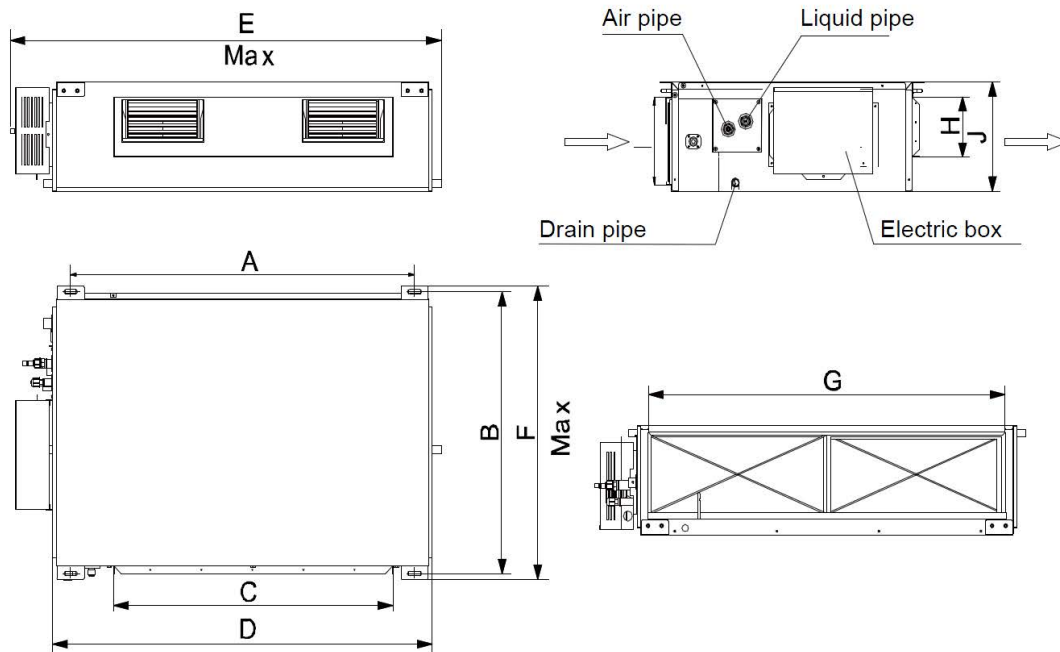
Electrical & Power Supply

Normal Operational Voltage	208/230 V, 1 Phase, 60 Hz
MCA	0.75 A
MOCP/Breaker Size	6 A

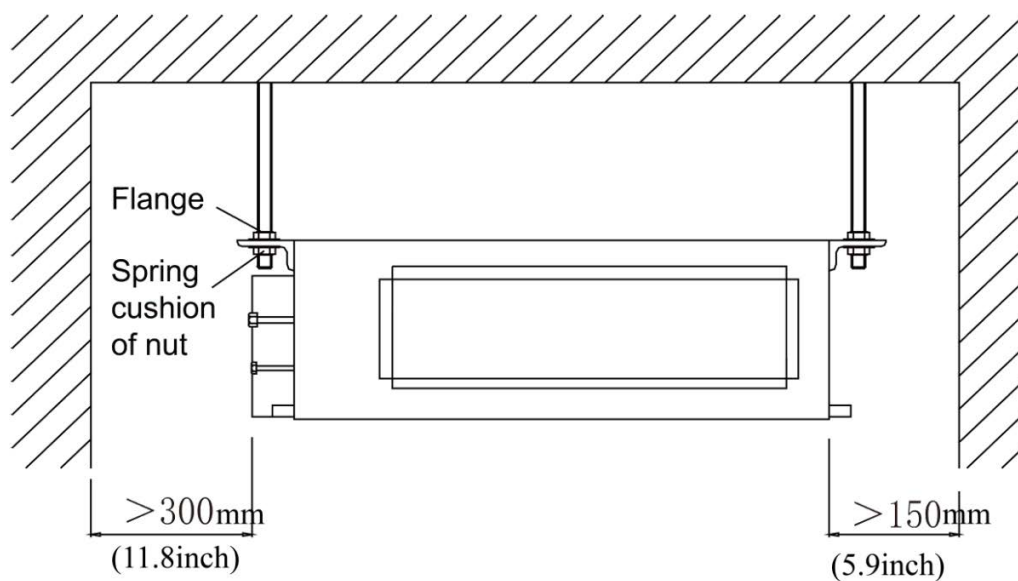
Refrigerant and Piping

Refrigerant Type	R410A
Gas Pipe Size (OD)	5/8-in
Liquid Pipe Size (OD)	3/8-in
Drain Pipe Size (OD)	1-in
Connection Method	Brazed

DIMENSIONAL SPECIFICATIONS



—	A	B	C	D	E	F	G	H	I	J
mm	1101	517	820	1159	1271	558	1002	160	235	268
inch	43-3/8	20-3/8	32-1/4	45-5/8	50	22	39-1/2	6-1/4	9-1/4	10-1/2



Notes:

1. Recommended Interconnecting Cable Type Stranded Bare Copper Conductors THHN 600V Wire
2. Power wiring cable size must comply with applicable national and local codes.
3. Test conditions are based on AHRI 210/240.

Specifications are subject to change without notice. Manufacturer reserves the right to discontinue or modify specifications or designs without notice or without incurring obligations. All rights reserved.