

Submittal Data: TVRF-IEHESPD24KPH

24,000 BTU/h Duct with high ESP evaporator

Job Name	Location	Date
Purchaser	Engineer	
Submitted To	For <input type="checkbox"/> Reference <input type="checkbox"/> Approval <input type="checkbox"/> Construction	
Unit Designation	Schedule No.	

GENERAL FEATURES

- High Static Pressure Design
- Ease of Maintenance
- Convenient Installation
- Protection Function



Performance

Unit Data

Cooling Rated Capacity 23,880 BTU/h 7 kW		Fan Type x Qty Centrifugal x 2 Output Power 150 W	
Heating Rated Capacity 26,955 BTU/h 7.9 kW		Airflow High / Medium / Low 647/530/412 CFM 1100/900/700 m ³ /h	
- dh Rated (Range) 70 (0 ~ 100) Pa 0.28 (0 ~ 0.40) in.w.c		Sound Pressure Level High / Medium / Low 45/41/37 dB(A)	
		Dimensions & Weights Unit Dimensions(WxHxD) 50.04×10.55×21.97-in 1271×268×558 mm Weight (Net/Gross) 77.2/88.2 LBS 35/40 kg	

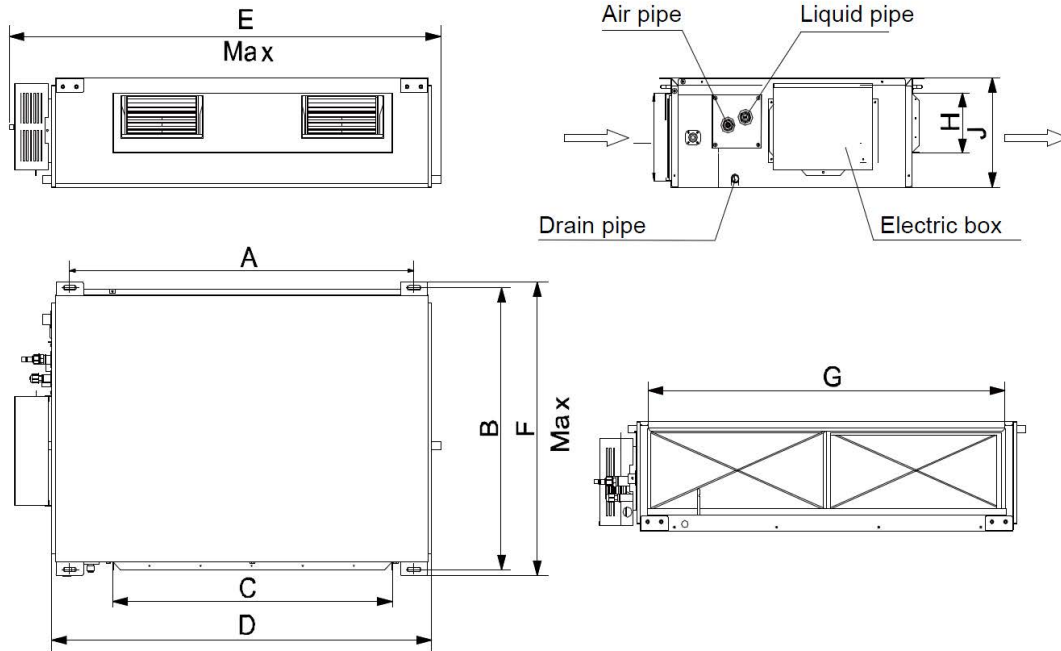
Electrical & Power Supply

Refrigerant and Piping

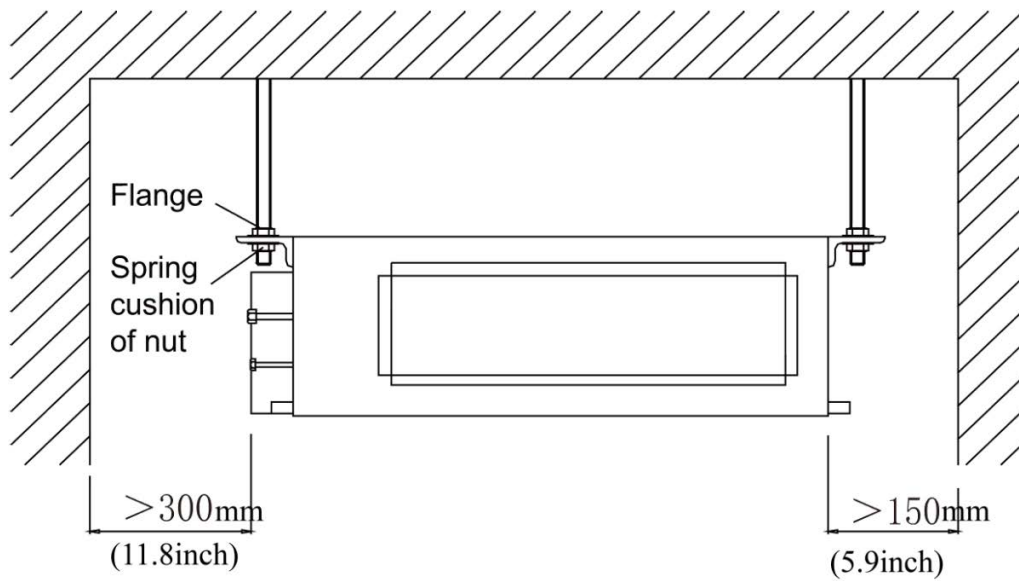
Normal Operational Voltage	208/230 V, 1 Phase, 60 Hz	Refrigerant Type	R410A
MCA	0.75 A	Gas Pipe Size (OD)	5/8-in
MOCP/Breaker Size	6 A	Liquid Pipe Size (OD)	3/8-in
		Drain Pipe Size (OD)	1-in
		Connection Method	Brazed



DIMENSIONAL SPECIFICATIONS



—	A	B	C	D	E	F	G	H	I	J
mm	1101	517	820	1159	1271	558	1002	160	235	268
inch	43-3/8	20-3/8	32-1/4	45-5/8	50	22	39-1/2	6-1/4	9-1/4	10-1/2



Notes:

1. Recommended Interconnecting Cable Type Stranded Bare Copper Conductors THHN 600V Wire
2. Power wiring cable size must comply with applicable national and local codes.
3. Test conditions are based on AHRI 210/240.

Specifications are subject to change without notice. Manufacturer reserves the right to discontinue or modify specifications or designs without notice or without incurring obligations. All rights reserved.