

**Submittal Data: TVRF-IEHESPD36KPH** 36,000 BTU/h Duct with high ESP evaporator

Job Name	Location	Date
Purchaser	Engineer	
Submitted To	For <input type="checkbox"/> Reference <input type="checkbox"/> Approval <input type="checkbox"/> Construction	
Unit Designation	Schedule No.	

**GENERAL FEATURES**

- High Static Pressure Design
- Ease of Maintenance
- Convenient Installation
- Protection Function



**Performance**

<b>Cooling</b>	
Rated Capacity	36,170 BTU/h 10.6 kW
<b>Heating</b>	
Rated Capacity	39,920 BTU/h 11.7 kW
<b>-ch</b>	
Rated (Range)	70 (0 ~ 100) Pa 0.28 (0 ~ 0.40) in.w.c

**Unit Data**

<b>Fan</b>	
Type x Qty	Centrifugal x 2
Output Power	250 W
<b>Airflow</b>	
High / Medium / Low	1000/853/647 CFM 1700/1450/1100 m³/h
<b>Sound Pressure Level</b>	
High / Medium / Low	46/44/42 dB(A)
<b>Dimensions &amp; Weights</b>	
Unit Dimensions(WxHxD)	48.39×11.42×30.51-in 1229×290×775 mm
Weight (Net/Gross)	103.64/119.07 LBS 47/54 kg

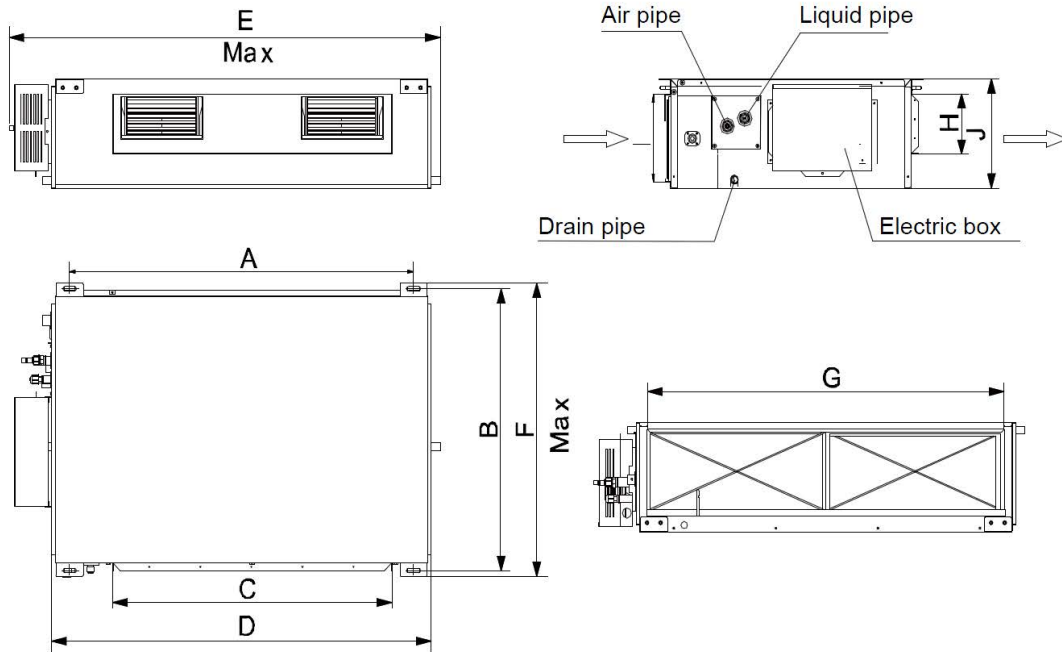
**Electrical & Power Supply**

Normal Operational Voltage	208/230 V, 1 Phase, 60 Hz
MCA	1.25 A
MOCP/Breaker Size	6 A

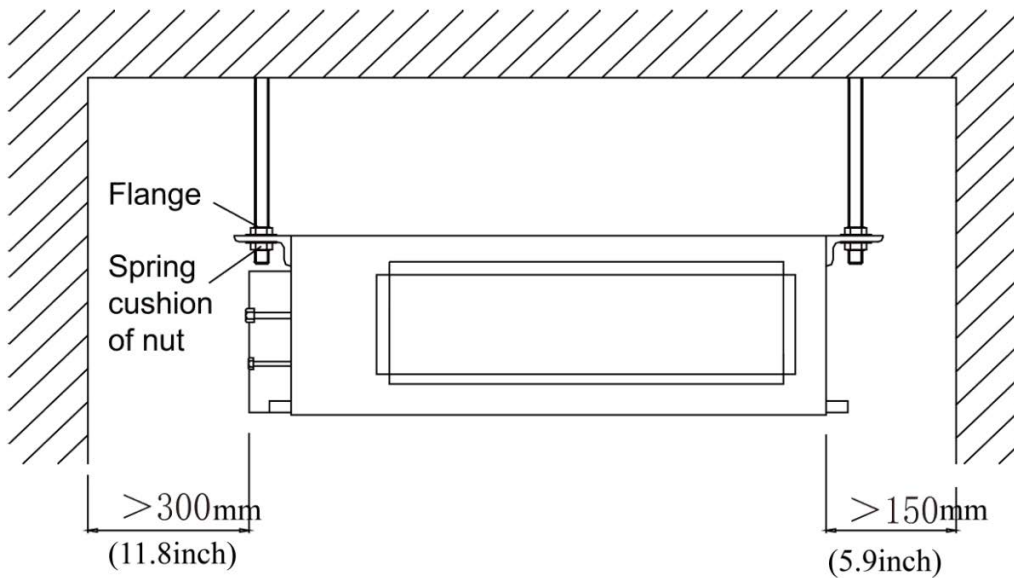
**Refrigerant and Piping**

Refrigerant Type	R410A
Gas Pipe Size (OD)	5/8-in
Liquid Pipe Size (OD)	3/8-in
Drain Pipe Size (OD)	1-in
Connection Method	Braze

## DIMENSIONAL SPECIFICATIONS



—	A	B	C	D	E	F	G	H	I	J
mm	1011	748	820	1115	1229	775	979	160	231	290
inch	43-3/8	29-1/2	32-1/4	43-7/8	48-3/8	30-1/2	38-1/2	6-1/4	9-1/8	11-3/8



**Notes:**

1. Recommended Interconnecting Cable Type Stranded Bare Copper Conductors THHN 600V Wire
2. Power wiring cable size must comply with applicable national and local codes.
3. Test conditions are based on AHRI 210/240.

Specifications are subject to change without notice. Manufacturer reserves the right to discontinue or modify specifications or designs without notice or without incurring obligations. All rights reserved.