

Submittal Data: TVRF-IEHESPD42KPH 42,000 BTU/h Duct with high ESP evaporator

Job Name	Location	Date
Purchaser	Engineer	
Submitted To	For <input type="checkbox"/> Reference <input type="checkbox"/> Approval <input type="checkbox"/> Construction	
Unit Designation	Schedule No.	

GENERAL FEATURES

- High Static Pressure Design
- Ease of Maintenance
- Convenient Installation
- Protection Function



Performance

Cooling	
Rated Capacity	41,968 BTU/h 12.3 kW
Heating	
Rated Capacity	47,086 BTU/h 13.8 kW
-ch	
Rated (Range)	70 (0 ~ 100) Pa 0.28 (0 ~ 0.40) in.w.c

Unit Data

Fan	
Type x Qty	Centrifugal x 2
Output Power	250 W
Airflow	
High / Medium / Low	1177/912/706 CFM 2000/1550/1200 m ³ /h
Sound Pressure Level	
High / Medium / Low	48/45/42 dB(A)
Dimensions & Weights	
Unit Dimensions(WxHxD)	48.39×11.42×30.51-in 1229×290×775 mm
Weight (Net/Gross)	103.64/119.07 LBS 47/54 kg

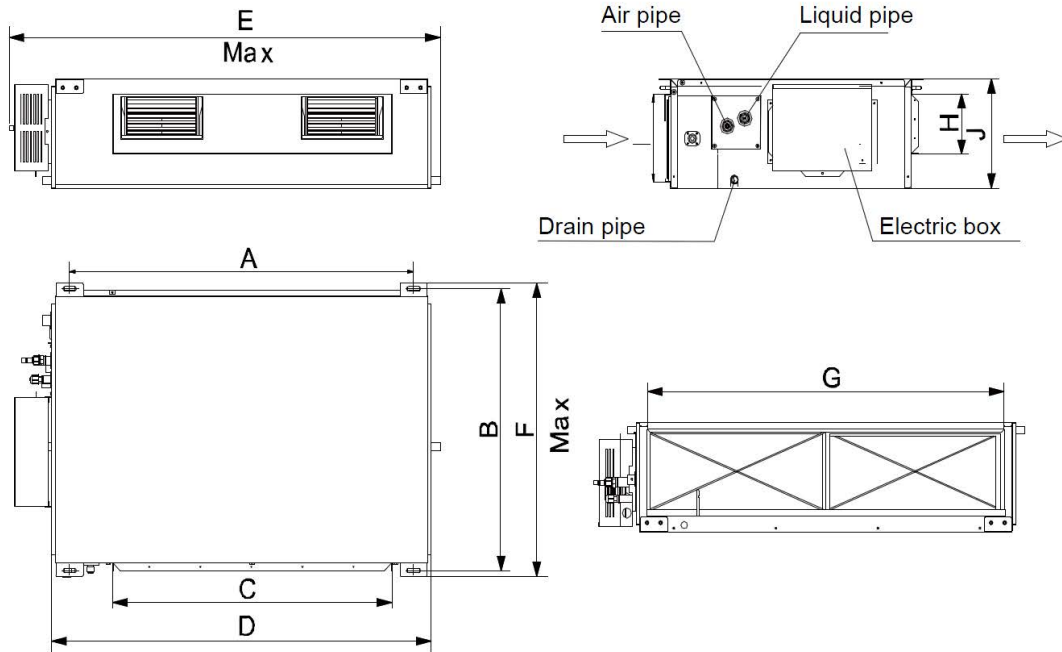
Electrical & Power Supply

Normal Operational Voltage	208/230 V, 1 Phase, 60 Hz
MCA	1.25 A
MOCP/Breaker Size	6 A

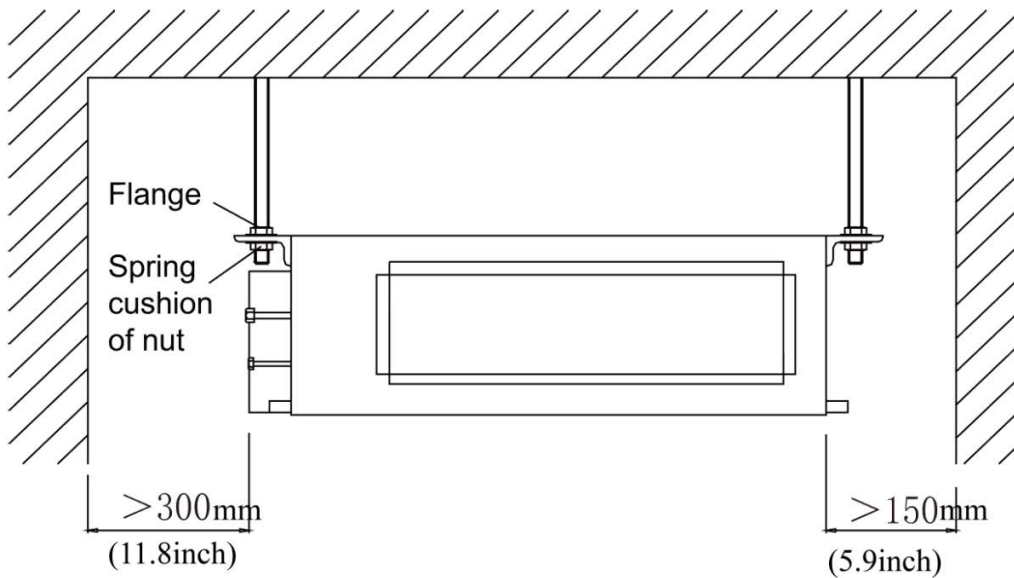
Refrigerant and Piping

Refrigerant Type	R410A
Gas Pipe Size (OD)	5/8-in
Liquid Pipe Size (OD)	3/8-in
Drain Pipe Size (OD)	1-in
Connection Method	Brazed

DIMENSIONAL SPECIFICATIONS



—	A	B	C	D	E	F	G	H	I	J
mm	1011	748	820	1115	1229	775	979	160	231	290
inch	43-3/8	29-1/2	32-1/4	43-7/8	48-3/8	30-1/2	38-1/2	6-1/4	9-1/8	11-3/8



Notes:

1. Recommended Interconnecting Cable Type Stranded Bare Copper Conductors THHN 600V Wire
2. Power wiring cable size must comply with applicable national and local codes.
3. Test conditions are based on AHRI 210/240.

Specifications are subject to change without notice. Manufacturer reserves the right to discontinue or modify specifications or designs without notice or without incurring obligations. All rights reserved.