

**Submittal Data: TVRF-SHC96K/220V** 96,000 BTU/h VRF Condenser Heat Recovery

Job Name	Location	Date
Purchaser	Engineer	
Submitted To	For <input type="checkbox"/> Reference <input type="checkbox"/> Approval <input type="checkbox"/> Construction	
Unit Designation	Schedule No.	

- GENERAL FEATURES**
- Sensorless DC Inverter Fan Motor
  - Compact Design
  - Non-Polar CAN Technology for Improved Communication Efficiency
  - Increased Energy Savings through Higher Efficiency
  - Fast Start-up in Heating Mode
  - Patented 2 Stage Oil Separation Technology & Improved Oil Return Control Technology
  - Smaller Impact on Power Grid
  - Allows for Flexible Installation



**Performance**

<b>US Ton</b>	8	
<b>Cooling</b>		
Rated Capacity	92,000 BTU/h 26.9 kW	
<b>Heating</b>		
Rated Capacity	103,000 BTU/h 30 kW	
<b>Capacity Modulation Range</b>	13 ~ 100 %	
<b>Operating Range</b>		
Cooling (Min-Max)	23~122°F (-5~50°C)	
Heating (Min-Max)	-4~75°F (-20~24°C)	

**Unit Data**

<b>Fan</b>		
Type x Qty		Axial flow x 2
Output Power		750+750 W
<b>Airflow</b>		
		8240 CFM 14000 m³/h
<b>ESP</b>		82 Pa
<b>Compressor</b>		
Type		Inverter Scroll
<b>Sound Pressure Level</b>		61 dB(A)
<b>Indoor Units</b>		
Max Qty		16
Total Capacity		50 - 135 %
<b>Dimensions &amp; Weights</b>		
Unit Dimensions (WxHxD)		52.75x63.25x30.13-in
Weight		694 LBS

**Electrical & Power Supply**

Normal Operational Voltage	208/230 V, 3 Phase, 60 Hz
MCA	45 A
MOCP/Breaker Size	60 A

**Refrigerant and Piping**

Refrigerant Type	R410A
High Pressure Gas Pipe Size (OD)	3/4-in
Low Pressure Gas Pipe Size (OD)	7/8-in
Liquid Pipe Size (OD)	3/8-in
Connection Method	Brazed
MAX Refrigerant Pipe Length	541-ft
MIN Refrigerant Pipe Length	10-ft

## Branch Circuit Controller



TVRF-SHCBU1T1

1 to 1



TVRF-SHCBU1T4

1 to 4

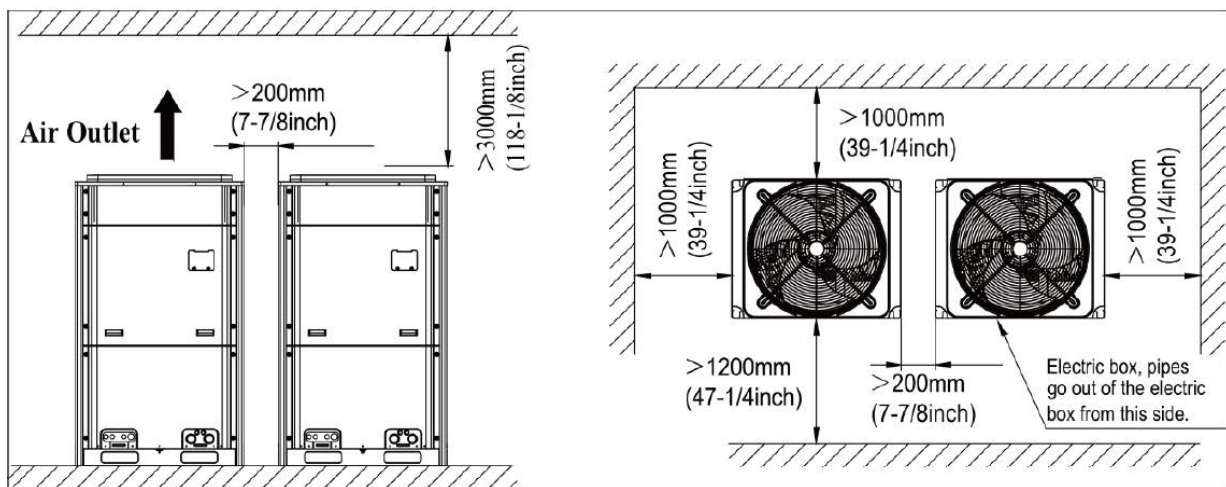
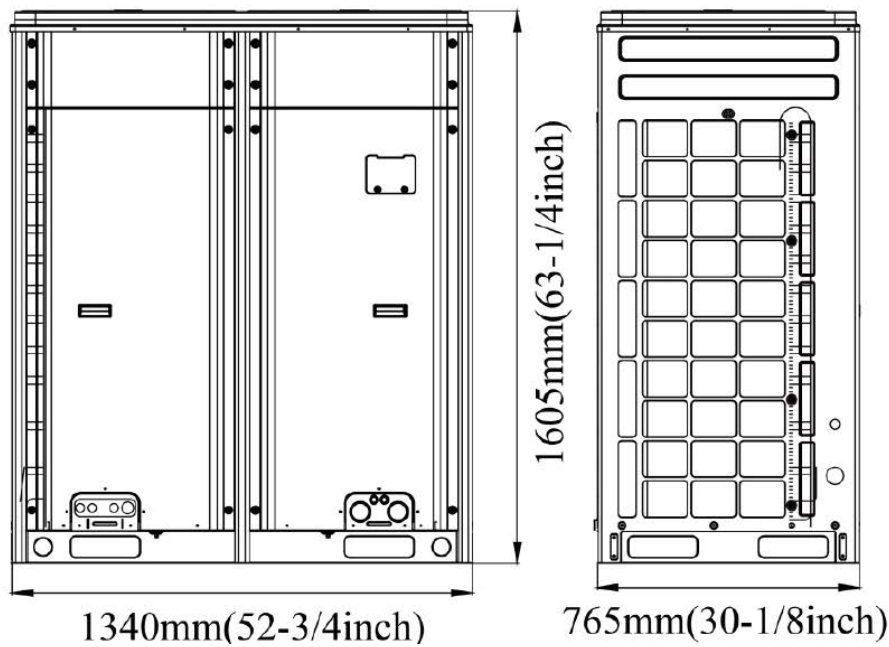
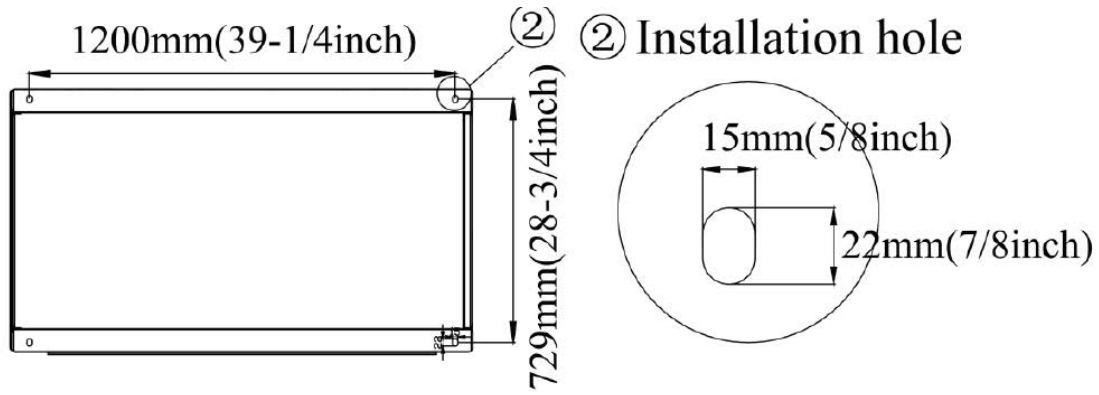


TVRF-SHCBU1T8

1 to 8

		WVRF-SHCBU1T1	WVRF-SHCBU1T4	WVRF-SHCBU1T8
Max IDU Branches	unit	1	4	8
Nbr. of connectable IDU for each branch	unit	8	8	8
Total connectable IDU	unit	8	32	64
Max. capacity of each branch	Btu	48,000	48,000	48,000
Max capacity of connectable IDU	Btu	48,000	153,000	222,000
Power Supply	V/Ph/Hz	208-230/1/60	208-230/1/60	208-230/1/60
Power Consumption	W	8	44	80
Maximum drive IDU	unit	1	4	8

## DIMENSIONAL SPECIFICATIONS



**Notes:**

1. Recommended Interconnecting Cable Type Stranded Bare Copper Conductors THHN 600V Wire
2. Power wiring cable size must comply with applicable national and local codes.
3. Test conditions are based on AHRI 210/240.

Specifications are subject to change without notice. Manufacturer reserves the right to discontinue or modify specifications or designs without notice or without incurring obligations. All rights reserved.