

Submittal Data: TVRF-IELESPD09KHP 9,000 BTU/h Duct with low ESP evaporator

| | | |
|------------------|--|------|
| Job Name | Location | Date |
| Purchaser | Engineer | |
| Submitted To | For <input type="checkbox"/> Reference <input type="checkbox"/> Approval <input type="checkbox"/> Construction | |
| Unit Designation | Schedule No. | |

GENERAL FEATURES

- Low Static Pressure Design for Quieter Operation
- Ease of Maintenance
- Convenient Installation
- Protection Function



Performance

| | |
|----------------|---|
| Cooling | |
| Rated Capacity | 9,500 BTU/h 2.8 kW |
| Heating | |
| Rated Capacity | 10,500 BTU/h 3.1 kW |
| - dh | |
| Rated (Range) | 15 (0 ~ 30) Pa 0.06 (0 ~ 0.12) in.w.c. |

Unit Data

| | |
|---------------------------------|---------------------------------------|
| Fan | |
| Type x Qty | Centrifugal x 2 |
| Output Power | 60 W |
| Airflow | |
| | 325 CFM 550 m³/h |
| Sound Pressure Level | |
| High / Low | 32 / 27 dB(A) |
| Dimensions & Weights | |
| Unit Dimensions(WxHxD) | 27.56×24.21×7.87-in 700×615×200 mm |
| Weight (Net/Gross) | 50.7/63.9 LBS 23/29 kg |

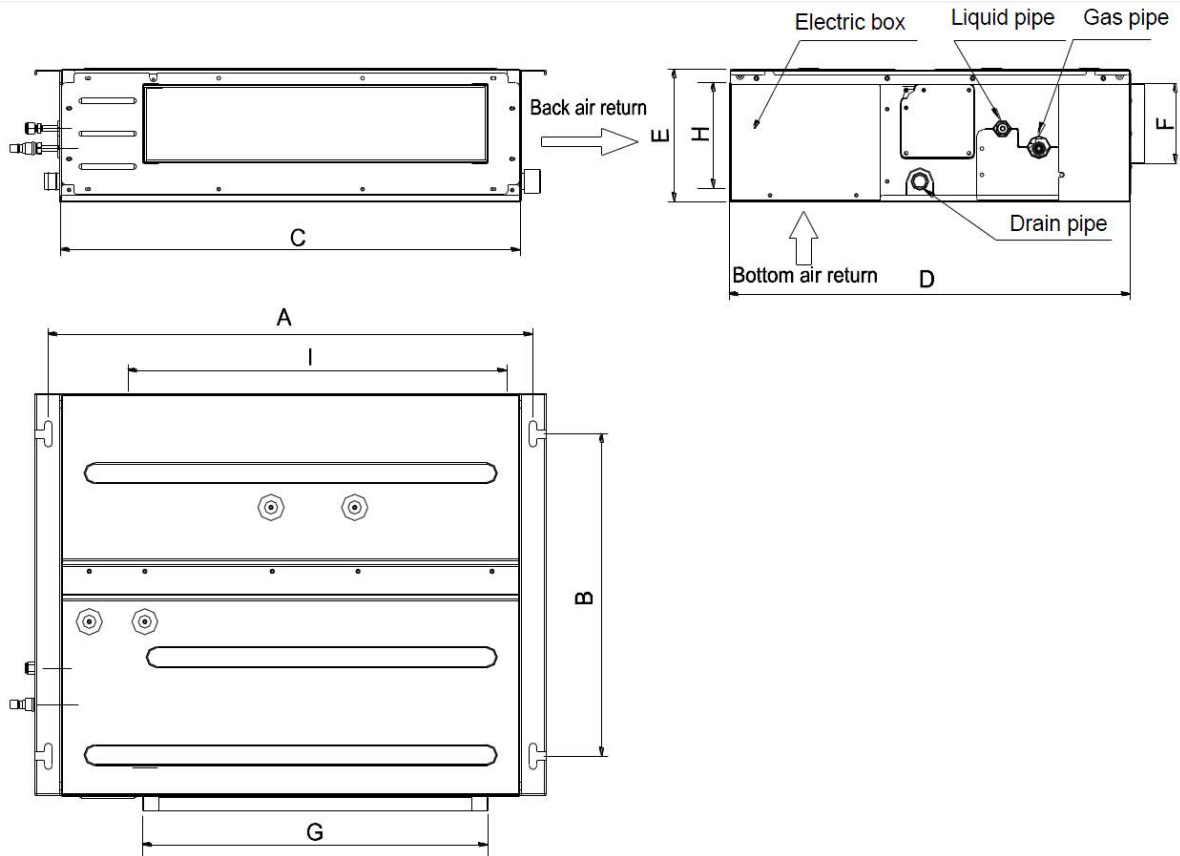
Electrical & Power Supply

| | |
|----------------------------|---------------------------|
| Normal Operational Voltage | 208/230 V, 1 Phase, 60 Hz |
| MCA | 0.25 A |
| MOCP/Breaker Size | 3.15 A |

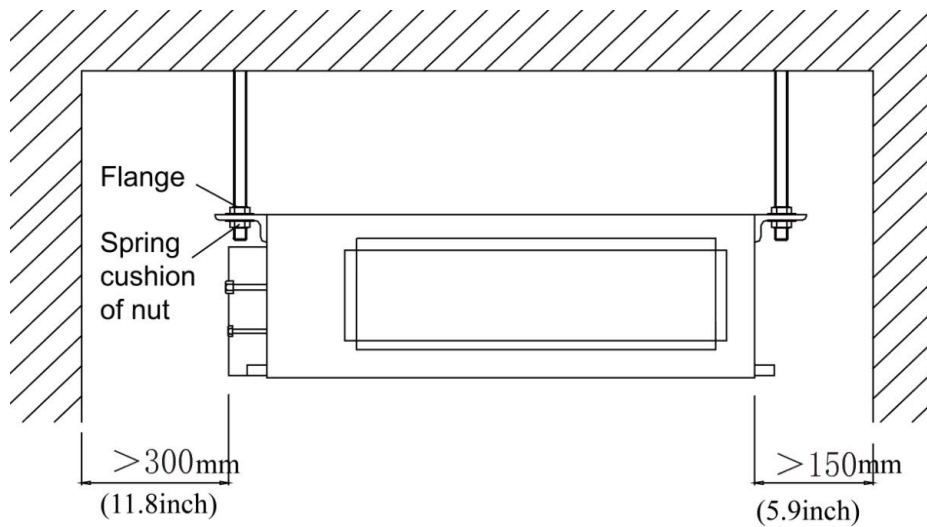
Refrigerant and Piping

| | |
|-----------------------|--------|
| Refrigerant Type | R410A |
| Gas Pipe Size (OD) | 1/2-in |
| Liquid Pipe Size (OD) | 1/4-in |
| Drain Pipe Size (OD) | 1-in |
| Connection Method | Flared |

DIMENSIONAL SPECIFICATIONS



| — | A | B | C | D | E | F | G | H | I |
|------|--------|--------|--------|--------|-------|-------|--------|-------|--------|
| mm | 742 | 491 | 700 | 615 | 200 | 121 | 528 | 161 | 580 |
| inch | 29-1/4 | 19-3/8 | 27-1/2 | 24-1/4 | 7-7/8 | 4-3/4 | 20-3/4 | 6-3/8 | 22-7/8 |



Notes:

1. Recommended Interconnecting Cable Type Stranded Bare Copper Conductors THHN 600V Wire
2. Power wiring cable size must comply with applicable national and local codes.
3. Test conditions are based on AHRI 210/240.

Specifications are subject to change without notice. Manufacturer reserves the right to discontinue or modify specifications or designs without notice or without incurring obligations. All rights reserved.