

**Submittal Data: TVRF-IEWM18KPH** 18,000 BTU/h Wall Mounted evaporator

Job Name	Location	Date
Purchaser	Engineer	
Submitted To	For <input type="checkbox"/> Reference <input type="checkbox"/> Approval <input type="checkbox"/> Construction	
Unit Designation	Schedule No.	

**GENERAL FEATURES**

- Comfortable and Balanced Airflow, Movable (up and down) Air Outlets
- Triple Defense for Better Purification
- Cold Air Prevention Design
- Protection Functions



**Performance**

<b>Cooling</b>	
Rated Capacity	18,000 BTU/h 5.28 kW
<b>Heating</b>	
Rated Capacity	20,000 BTU/h 5.86 kW

**Unit Data**

<b>Fan</b>	
Type	Cross-flow
Output Power	20 W
FLA	0.23 A
<b>Airflow</b>	
	370 CFM 630 m <sup>3</sup> /h
<b>Sound Pressure Level</b>	
High / Low	44/38 dB(A)
<b>Dimensions &amp; Weights</b>	
Unit Dimensions(WxHxD)	37.01×7.87×11.73-in 940×200×298 mm
Weight (Net/Gross)	27.56/33.08 LBS 12.5/15 kg

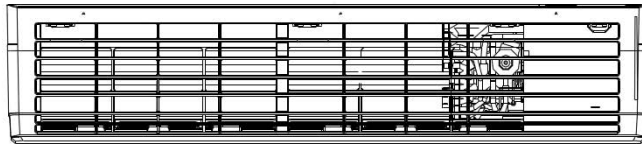
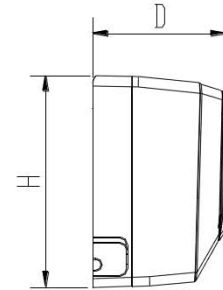
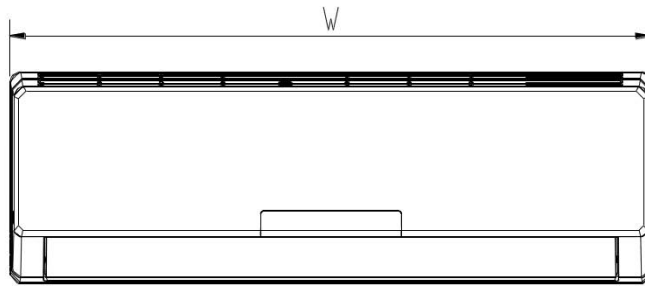
**Electrical & Power Supply**

Normal Operational Voltage	208/230 V, 1 Phase, 60 Hz
MCA	0.2625 A
MOCP/Breaker Size	6 A

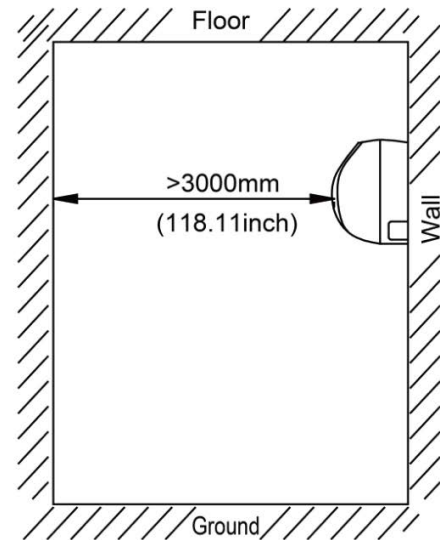
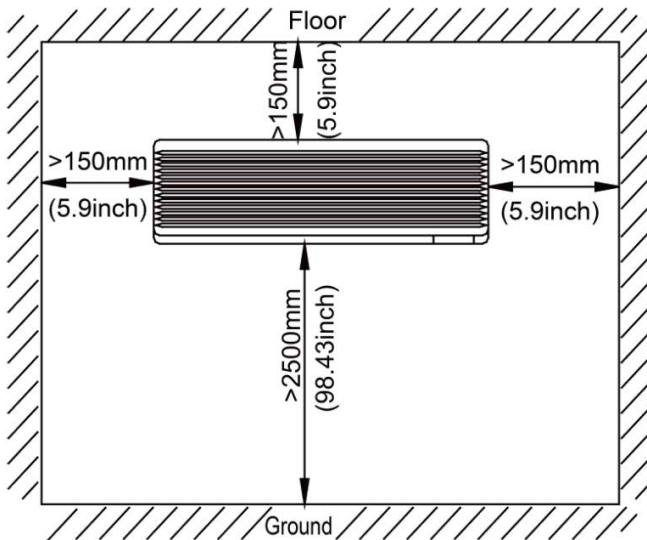
**Refrigerant and Piping**

Refrigerant Type	R410A
Gas Pipe Size (OD)	1/2-in
Liquid Pipe Size (OD)	1/4-in
Drain Pipe Size (OD)	3/4-in
Connection Method	Flared

## DIMENSIONAL SPECIFICATIONS



—	W	H	D
mm	940	298	200
inch	37	11.73	7.87



**Notes:**

1. Recommended Interconnecting Cable Type Stranded Bare Copper Conductors THHN 600V Wire
2. Power wiring cable size must comply with applicable national and local codes.
3. Test conditions are based on AHRI 210/240.

Specifications are subject to change without notice. Manufacturer reserves the right to discontinue or modify specifications or designs without notice or without incurring obligations. All rights reserved.