

Submittal Data: TM12HEDI

12,000 BTU/H Console Unit

Job Name	Location	Date
Purchaser	Engineer	
Submitted To	For	<input type="checkbox"/> Reference <input type="checkbox"/> Approval <input type="checkbox"/> Construction
Unit Designation	Schedule No.	

GENERAL FEATURES

- Quiet Operation -Multi-Speed Fan
- Swing Louvers
- Wireless Remote Controllers
- Remote Control Lockout



System Ratings

Cooling	
Rated Capacity	12,000 Btu/h
Heating	
Rated Capacity	13,000 Btu/h
Sound Pressure	
Cooling	42/27 dbA
Heating	42/27 dbA
Air Flow (max)	
Indoor Fan	353 CFM

Physical Specifications

Unit Dimensions (LxHxD)	27.5 x 24.0 x 8.5 -in 700 x 600 x 215-mm
Weight (Net/Shipping)	33/40 LBS
Drain Size (OD)	0.67-in 17-mm

Electrical Ratings

Fan Motor	
Output Power	30 W
FLA	0.36 A
Power Supply	
Normal Operational Voltage	208/230 V, 1 Phase, 60 Hz
Voltage Range	187 - 253 V
MCA	1.0 A
Interconnecting Cable Wire Size	14-4 AWG

Refrigerant Piping Data

Refrigerant Type	R410A
Gas Pipe Size (OD)	3/8-in
Liquid Pipe Size (OD)	1/4-in
Connection Method	Flared

* Test conditions are based on AHRI 210/240.

**Sound Power ratings are per AHRI 270 and AHRI 350



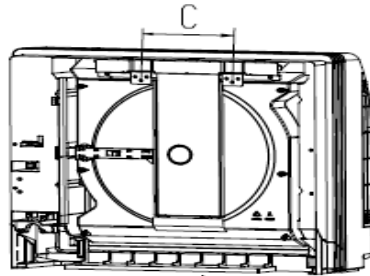
12,000 BTUH 230V



Front



Side



Back

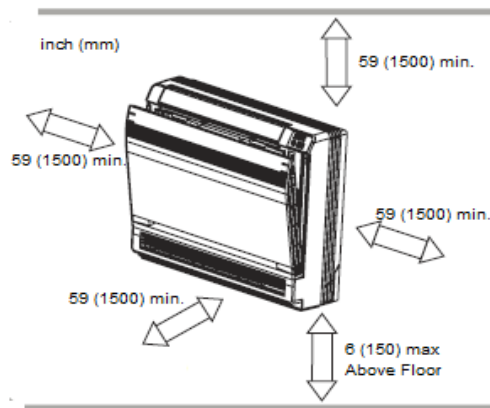
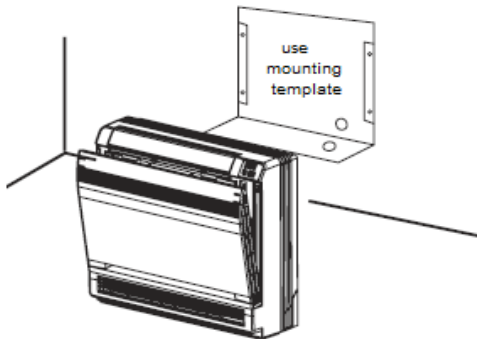
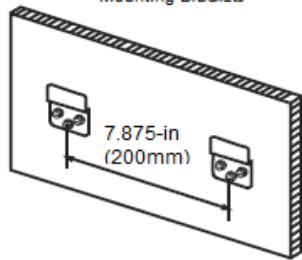
Dimensions

	A	B	C	H
(mm)	700	215	200	600
(inches)	27.6	8.5	7.875	23.6

Note: Size refrigerant lines based on evaporator port sizes.

MINIMUM CLEARANCES

Mounting Brackets



Notes:

1. Recommended Interconnecting Cable Type Stranded Bare Copper Conductors THHN 600V Unshielded Wire
2. Power wiring cable size must comply with applicable national and local codes.
3. Test conditions are based on AHRI 210/240.

Specifications are subject to change without notice. Manufacturer reserves the right to discontinue or modify specifications or designs without notice or without incurring obligations. All rights reserved.