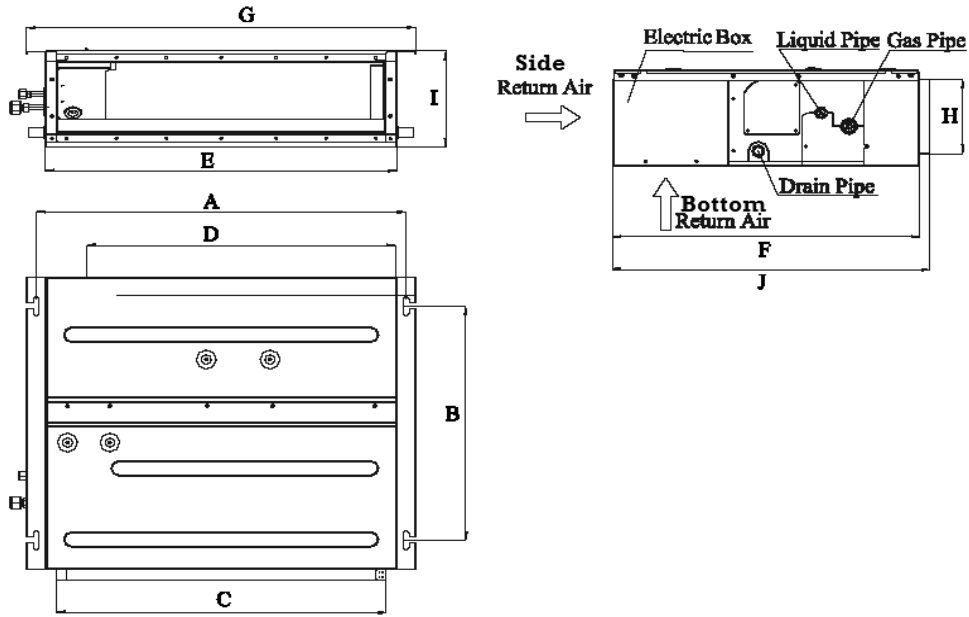


<b>Submittal Data: TM12HFDI</b>		12,000 BTU/H Ductable Unit	
Job Name	Location	Date	
Purchaser	Engineer		
Submitted To	For	<input type="checkbox"/> Reference	<input type="checkbox"/> Approval <input type="checkbox"/> Construction
Unit Designation	Schedule No.		
<b>GENERAL FEATURES</b> -Quiet Operation -Multi-Speed Fan -Medium Static Pressure Capability -Slim Line Construction 7-7/8" high -Internal Condensate Drain Pump -Flexible Return Air From Bottom Or Rear -Wired Remote Controllers -Sentry Condensate Overflow Protection			
System Ratings		Physical Specifications	
<b>Cooling*</b> Rated Capacity 11,900 BTU/H	<b>Heating*</b> Rated Capacity 13,100 BTU/H	Unit Dimensions (LxHxD) 27.6 x 24.2 x 7.9 -in 700 x 615 x 200-mm	Weight (Net/Shipping) 51/64 LBS
<b>Sound Pressure (Hi/Lo)**</b> Cooling 39/32 dbA Heating 39/32 dbA	<b>Air Flow (max)</b> Indoor Fan 294 CFM	<b>Units Specification &amp; Data</b> Condensate Drain Lift (Height) 18-in 457-mm Drain Size (OD) 1.0-in 26-mm	
<b>Ext Static Pressure (max/min)</b> 0.04/0.03 WG	<b>Electrical Ratings</b> <b>Fan Motor</b> Output Power 80 W FLA 0.35 A <b>Power Supply</b> Normal Operational Voltage 208/230 V, 1 Phase, 60 Hz Voltage Range 187 - 253 V MCA 1.0 A Interconnecting Cable Wire Size 14-4 AWG	<b>Refrigerant Piping Data</b> Refrigerant Type R410A Gas Pipe Size (OD) 3/8-in Liquid Pipe Size (OD) 1/4-in Connection Method Flared	
<small>* Test conditions are based on AHRI 210/240.            **Sound Power ratings are per AHRI 270 and AHRI 350</small>			



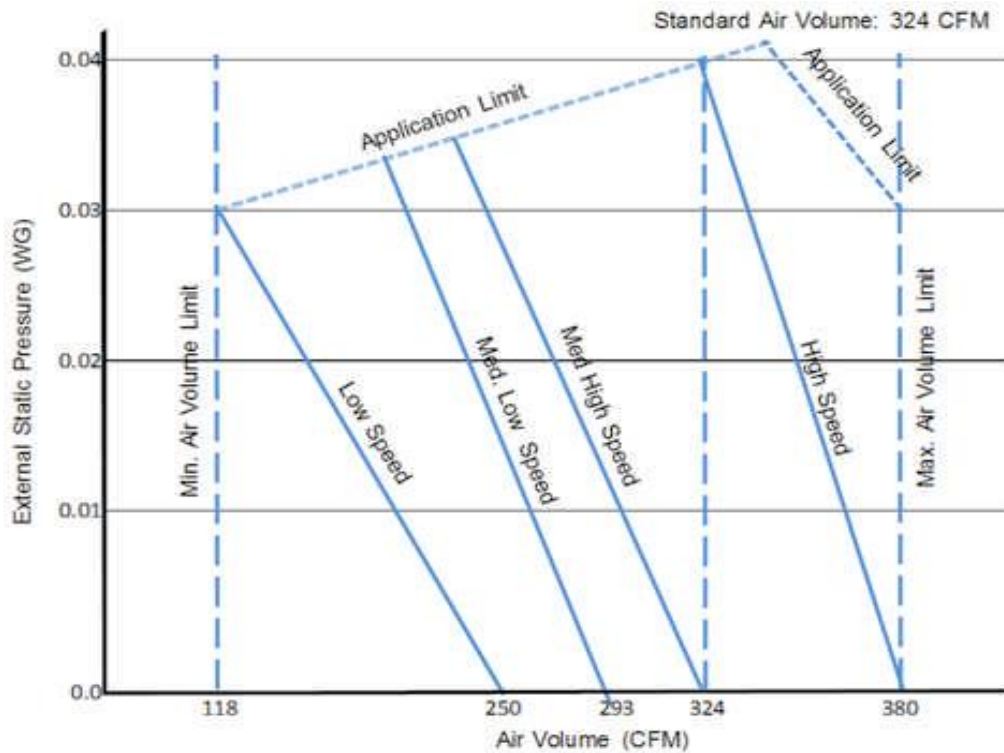


Dimensions

	A	B	C	D	E	F	G	H	I	J
(mm)	742	491	662	620	700	615	782	156	200	635
(inches)	29.2	19.3	26.1	24.4	27.6	24.2	30.8	6.1	7.9	25.0

Note: Size refrigerant lines based on evaporator port sizes.

**INDOOR FAN PERFORMANCE DATA**



Notes:

1. Recommended Interconnecting Cable Type Stranded Bare Copper Conductors THHN 600V Unshielded Wire
2. Power wiring cable size must comply with applicable national and local codes.
3. Test conditions are based on AHRI 210/240.

Specifications are subject to change without notice. Manufacturer reserves the right to discontinue or modify specifications or designs without notice or without incurring obligations. All rights reserved.