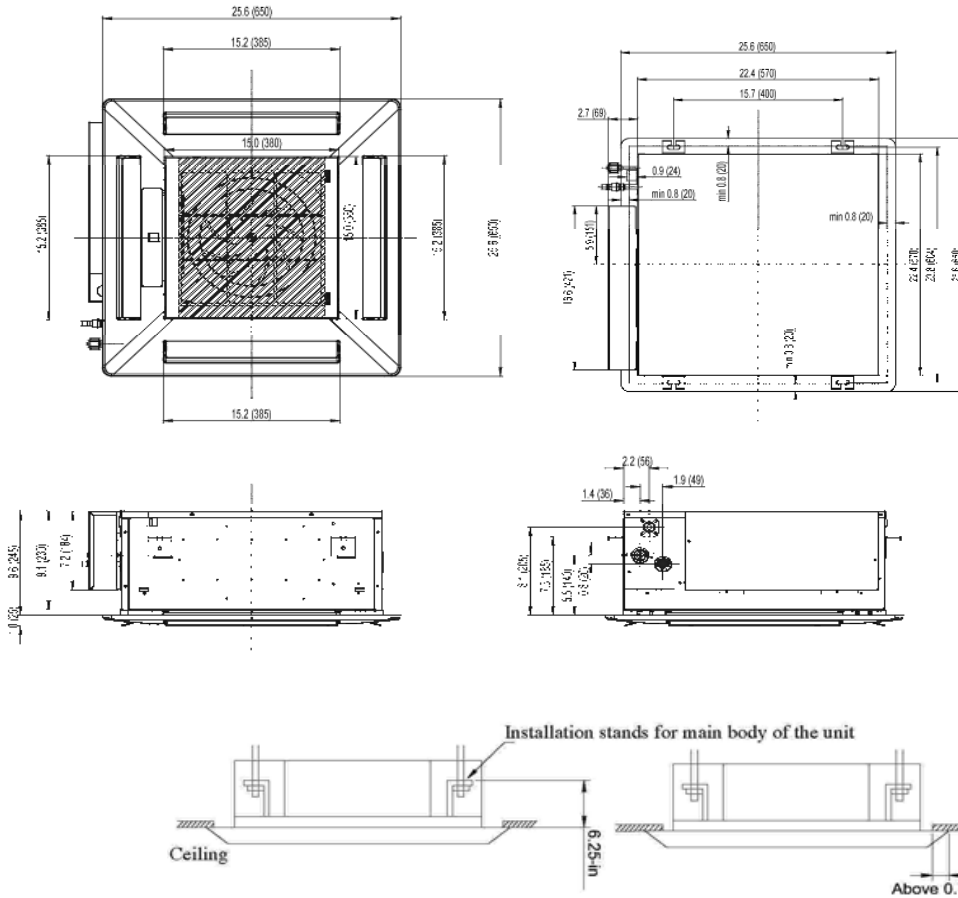


Submittal Data: TM18HKDI		18,000 BTU/H Ceiling Cassette	
Job Name		Location	
Purchaser		Date	
Submitted To		Engineer	
Unit Designation		For <input type="checkbox"/> Reference <input type="checkbox"/> Approval <input type="checkbox"/> Construction	
Schedule No.			
GENERAL FEATURES -Quiet Operation -Multi-Speed Fan -4-way Discharge Air -Internal Condensate Drain Pump -Swing Louver -Both Wireless & Wired Remote Controllers -Power Failure Recovery -Sentry Condensate Overflow Protection			
System Ratings		Physical Specifications	
Cooling* Rated Capacity 15,355 BTU/H		Unit Dimensions (LxHxD) 570 x 230 x 570 -mm 22.5 x 9.0 x 22.5-in	
Heating* Rated Capacity 17,061 BTU/H		Grille Dimensions (LxHxD) 650 x 36 x 650 -mm 25.6 x 1.5 x 25.6 -in	
Sound Pressure (Hi/Lo)** Cooling 47/39 dbA Heating 47/39 dbA		Weight (Net/Shipping) 40/51 LBS	
Air Flow (max) Indoor Fan 353 CFM		Units Specification & Data	
		Air Filter Netted polypropylene	
		Condensate Drain Lift (Height) 12-in 305-mm	
		Drain Size (OD) 1.2-in 31-mm	
Electrical Ratings		Refrigerant Piping Data	
Fan Motor Output Power 11 W FLA 0.2 A		Refrigerant Type R410A	
		Gas Pipe Size (OD) 1/2-in	
		Liquid Pipe Size (OD) 1/4-in	
Power Supply Normal Operational Voltage 208/230 V, 1 Phase, 60 Hz Voltage Range 187 - 253 V MCA 1.0 A Interconnecting Cable Wire Size 14-4 AWG		Connection Method Flared	
		* Test conditions are based on AHRI 210/240.	
		**Sound Power ratings are per AHRI 270 and AHRI 350	

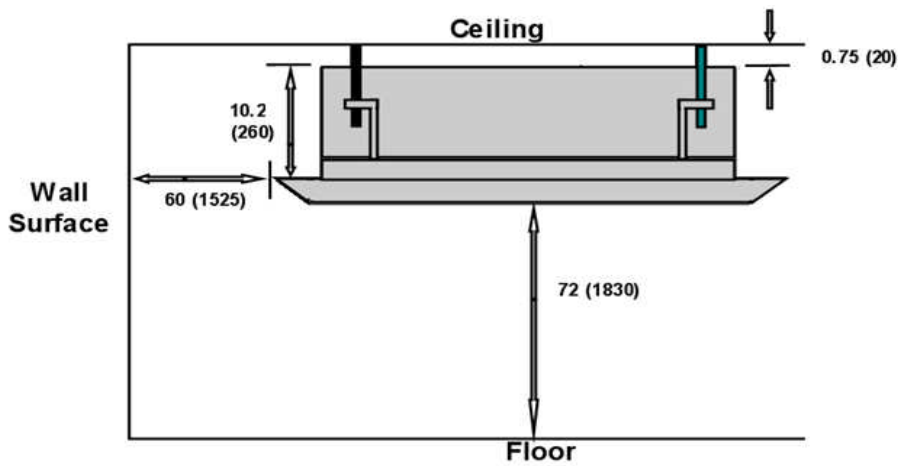


Units: inch (mm)



Note: Size refrigerant lines

MINIMUM CLEARANCES



Notes:

1. Recommended Interconnecting Cable Type Stranded Bare Copper Conductors THHN 600V Unshielded Wire
2. Power wiring cable size must comply with applicable national and local codes.
3. Test conditions are based on AHRI 210/240.

Specifications are subject to change without notice. Manufacturer reserves the right to discontinue or modify specifications or designs without notice or without incurring obligations. All rights reserved.