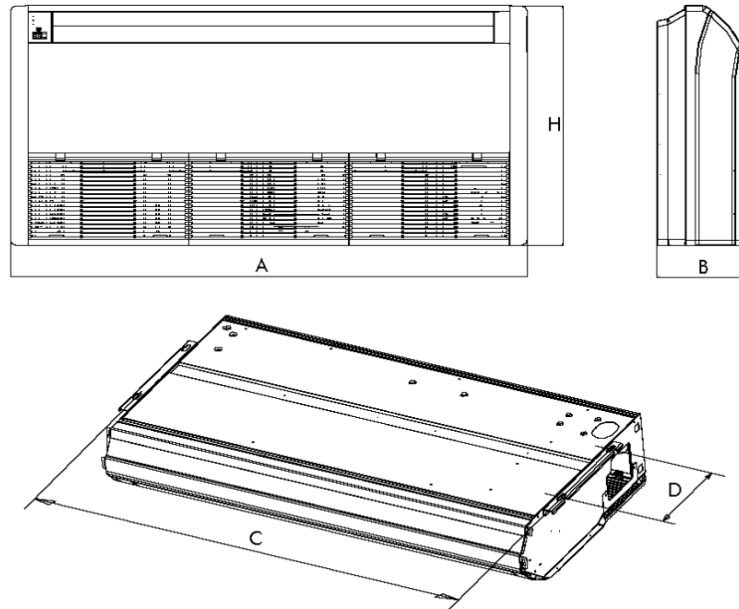


Submittal Data: TM24HTDI		24,000 BTU/H Universal Floor/Ceiling Unit	
Job Name	Location	Date	
Purchaser	Engineer		
Submitted To	For	<input type="checkbox"/> Reference	<input type="checkbox"/> Approval <input type="checkbox"/> Construction
Unit Designation	Schedule No.		
<b>GENERAL FEATURES</b> -Floor Stand or Ceiling Mount -Quiet Operation -Multi-Speed Fan -4-way Discharge Air Flow -Swing Louvers -Remote Control Lockout -Wired and Wireless Remote Controllers -Limited 5 yr. Parts Warranty			
System Ratings		Physical Specifications	
<b>Cooling*</b> Rated Capacity 22,867 BTU/H	<b>Heating*</b> Rated Capacity 27,304 BTU/H	Unit Dimensions (LxHxD) 48.0 x 27.5 x 9.0 -in 1220 x 700 x 225-mm	Weight (Net/Shipping) 100/120 LBS
<b>Sound Pressure (Hi/Lo)**</b> Cooling 48/44 dbA Heating 48/44 dbA	<b>Air Flow (max)</b> Indoor Fan 736 CFM	Drain Size (OD) 0.67-in 17-mm	
Electrical Ratings		Refrigerant Piping Data	
<b>Fan Motor</b> Output Power 145 W FLA 0.63 A	<b>Power Supply</b> Normal Operational Voltage 208/230 V, 1 Phase, 60 Hz Voltage Range 187 - 253 V MCA 1.0 A Interconnecting Cable Wire Size 14-4 AWG	Refrigerant Type R410A Gas Pipe Size (OD) 5/8-in Liquid Pipe Size (OD) 3/8-in Connection Method Flared	
		* Test conditions are based on AHRI 210/240. **Sound Power ratings are per AHRI 270 and AHRI 350	



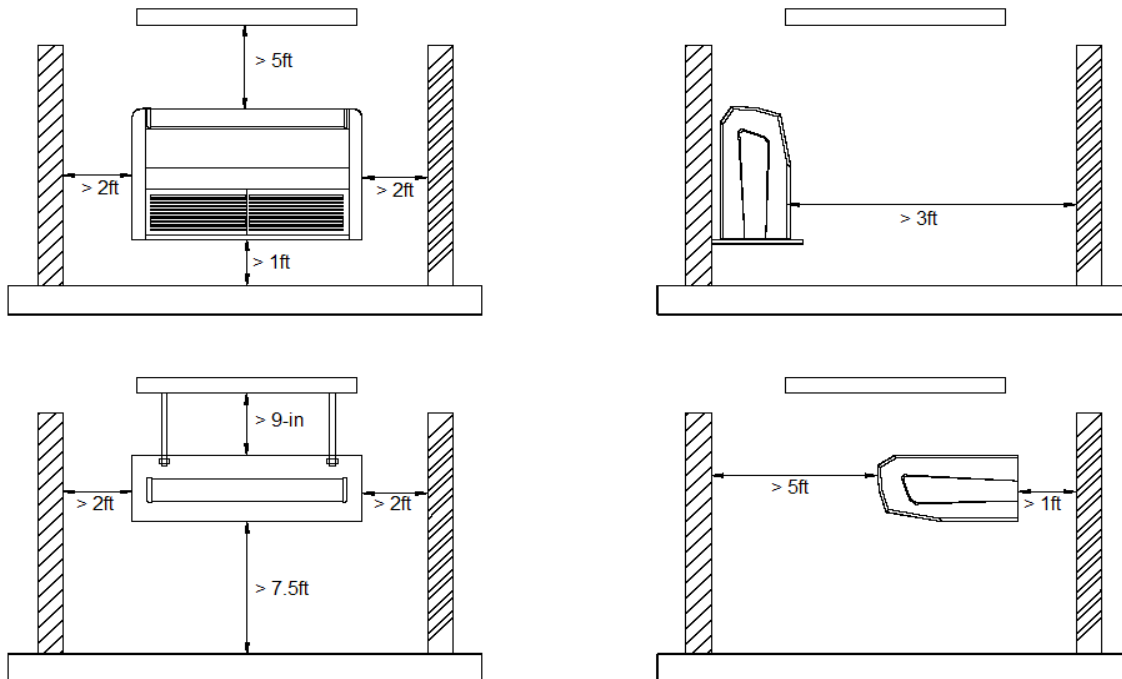


Dimensions

	A	B	C	D	H	H
(mm)	1220	225	1158	280	700	700
(inches)	48.0	8.9	45.6	11.0	27.6	27.6

Note: Size refrigerant lines based on evaporator port sizes.

**MINIMUM CLEARANCE**



Notes:

1. Recommended Interconnecting Cable Type Stranded Bare Copper Conductors THHN 600V Unshielded Wire
2. Power wiring cable size must comply with applicable national and local codes.
3. Test conditions are based on AHRI 210/240.

Specifications are subject to change without notice. Manufacturer reserves the right to discontinue or modify specifications or designs without notice or without incurring obligations. All rights reserved.