

**Submittal Data: TW24HQ1A5D** 24,000 BTU/h Wall Mounted Heat- Pump System

Job Name \_\_\_\_\_ Location \_\_\_\_\_ Date \_\_\_\_\_

Purchaser \_\_\_\_\_ Engineer \_\_\_\_\_

Submitted To \_\_\_\_\_ For  Reference  Approval  Construction

Unit Designation \_\_\_\_\_ Schedule No. \_\_\_\_\_

- GENERAL FEATURES**
- Compact and Quiet Design
  - High Efficiency - 16 SEER
  - DC Inverter Technology
  - Wireless Remote with LCD Display
  - Comfortable Sleep Mode
  - Intelligent Defrost
  - Multi Speed Fan



**System Ratings**

<b>Cooling</b>	
Rated Capacity	22,000 BTU/h
Capacity Range	8,630-23,200 BTU/h
Power Input (Max)	2,700 W
SEER	16
EER	2.85

<b>Heating at 47° F</b>	
Rated Capacity	23,000 BTU/h
Capacity Range	8,650-26,000 BTU/h
Power Input (Max)	2,750 W
HSPF	9.0
COP	2.93

<b>Heating at 17° F</b>	
Rated Capacity	16,100 BTU/h
Capacity (Max)	18,200 BTU/h

<b>Operating Range</b>		
Cooling	(Max)	115°F (46 C)
	(Min)	0°F (-18 C)
Heating	(Max)	75°F (24 C)
	(Min)	-4°F (-20 C)

<b>Power Supply</b>	
Normal Operational Voltage	208/230 V, 1 Phase, 60 Hz
Voltage Range	187 - 253 V
Main Power Wire Size	14-2 AWG
Interconnecting Cable Wire Size	14-4 AWG
MCA	16 A
MOCP/Breaker Size	25 A

**Indoor Unit Data**

<b>Fan Motor</b>	Output Power	30 W
	FLA	0.32 A
<b>Airflow</b>		
Turbo / High / Medium / Low		706/647/589/530 CFM
		1200/1100/1000/900 m³/h
<b>Sound Pressure Level</b>		
High / Medium / Low		44/40/36 dB(A)
<b>Dehumidication</b>		2.50 L/h
		5.28 pt/h
<b>Dimensions &amp; Weights</b>		
Unit Dimensions(WxHxD)		42.441×12.795×9.685-in
Weight (Net/Shipping)		37/45 LBS

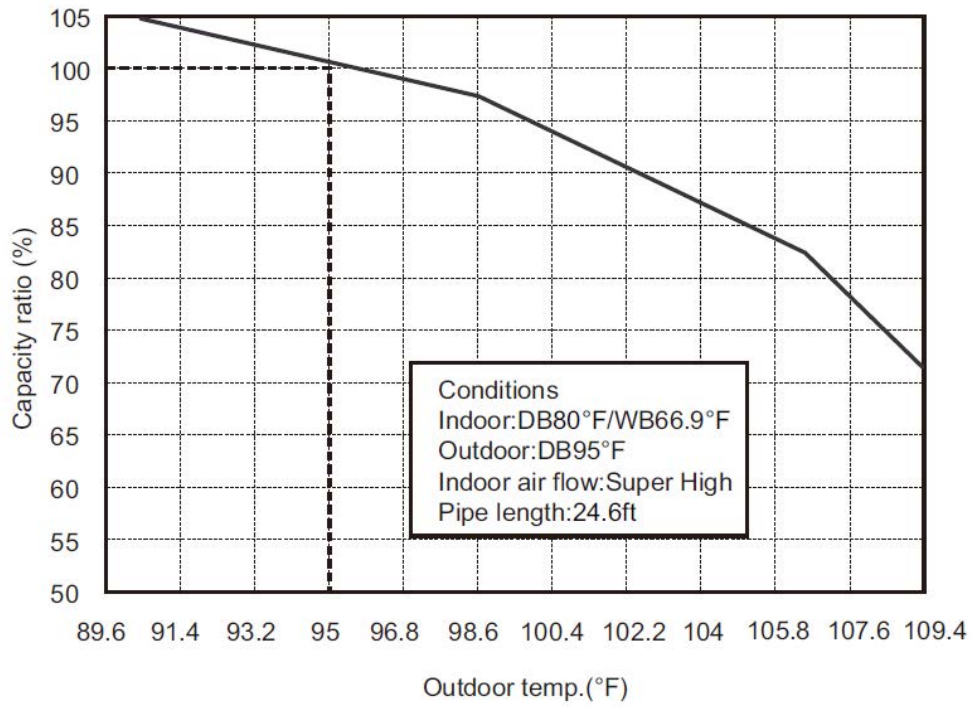
**Outdoor Unit Data**

<b>Compressor</b>	DC Inverter Driven Rotary	
<b>Refrigerant Type</b>	R410A	
<b>Fan Motor</b>	Output Power	60 W
	FLA	0.4 A
<b>Sound Pressure</b>		
Cooling		59 dB(A)
Heating		59 dB(A)
<b>Dimensions &amp; Weights</b>		
Unit Dimensions (LxHxD)		37.598×27.559×15.591-in
Weight (Net/Shipping)		110/120 LBS

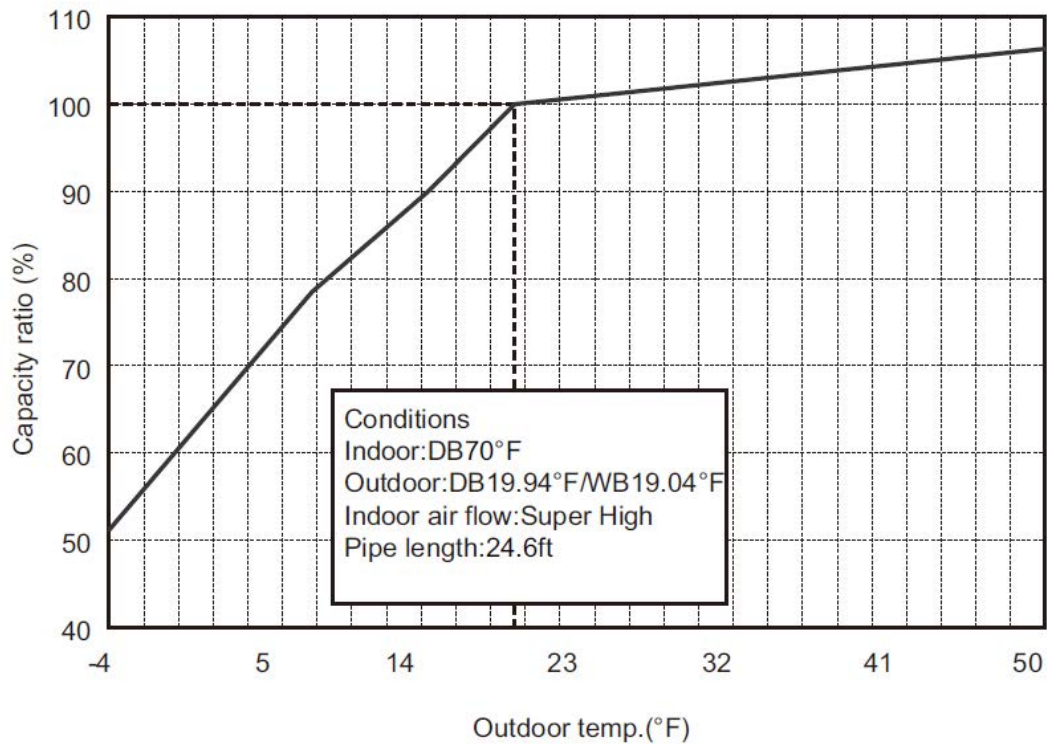
<b>Refrigerant Piping Data</b>		
Gas Pipe Size (OD)		5/8-in
Liquid Pipe Size (OD)		1/4-in
Connection Method		Flared
MAX Refrigerant Pipe Length		82-ft
MIN Refrigerant Pipe Length		10-ft
MAX Refrigerant Pipe Height Difference		32.8-ft

CAPACITY RATIO

COOLING



HEATING

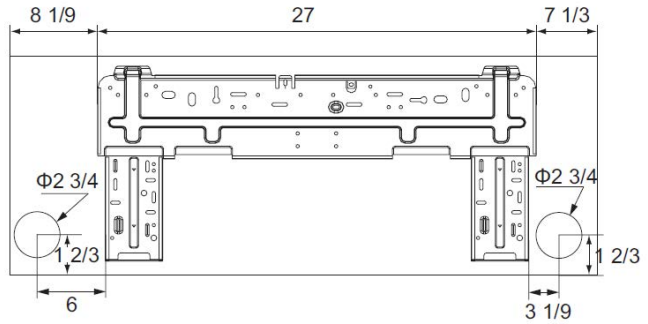
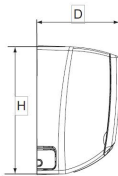


# DIMENSIONAL SPECIFICATIONS

# TW24HQ1A5D

## INDOOR UNIT DIMENSIONS

Units: inch

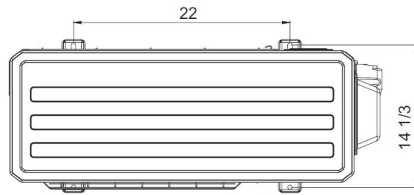
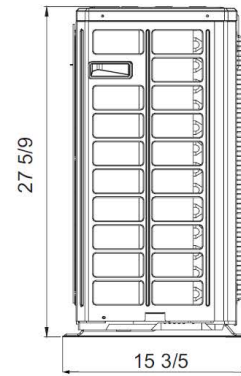
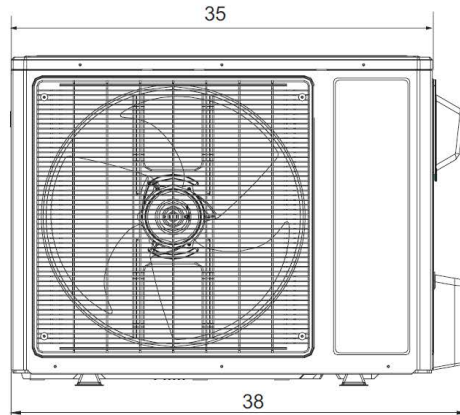
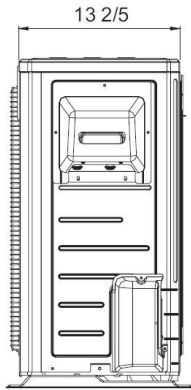


W : 42 4/9  
H : 12 4/5  
D : 9 2/3

Liquid Line Valve	1/4-in OD Flared
Gas Line Valve	5/8-in OD Flared
Drain Connector	5/8-in OD

## OUTDOOR UNIT DIMENSIONS

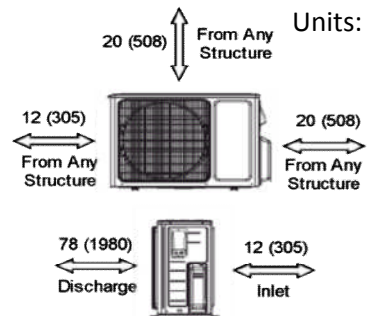
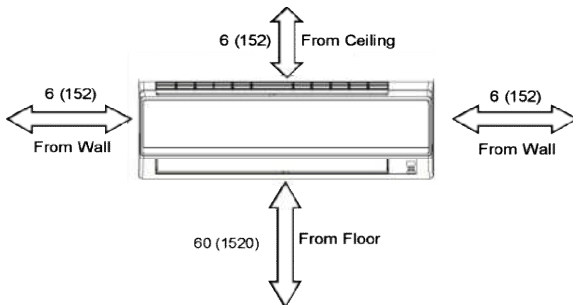
Units: inch (mm)



Liquid Line Valve	1/4-in OD Flared
Gas Line Valve	5/8-in OD Flared

## MINIMUM SPACING REQUIREMENTS

Units: inch (mm)



**Notes:**

1. Recommended Interconnecting Cable Type Stranded Bare Copper Conductors THHN 600V Wire
2. Power wiring cable size must comply with applicable national and local codes.
3. Test conditions are based on AHRI 210/240.

Specifications are subject to change without notice. Manufacturer reserves the right to discontinue or modify specifications or designs without notice or without incurring obligations. All rights reserved.