

Submittal Data: TU42HFI 42,000 BTUH Slim Duct Heat Pump System

Job Name _____ Location _____ Date _____

Purchaser _____ Engineer _____

Submitted To _____ For Reference Approval Construction

Unit Designation _____ Schedule No. _____

- GENERAL FEATURES**
- Multi-Speed Fan
 - Medium Static Pressure Capability
 - Flexible Return Air From Bottom Or Rear
 - Internal Condensate Drain Pump
 - Sentry Condensate Overflow Protection
 - Wired Remote Controllers
 - Gold Fin Condenser Coating



System Ratings

Cooling		
Rated Capacity		39,500 BTU/H
Capacity Range		12,000-42,500 BTU/H
Power Input (Max)		4,700 W
SEER		16.0
EER		9.5
Heating at 47° F		
Rated Capacity		44,000 BTU/H
Capacity Range		13,000-52,500 BTU/H
Power Input (Max)		4,750 W
HSPF		9.0
COP		3.3
Heating at 17° F		
Rated Capacity		24,800 BTU/H
Operating Range		
Cooling	(Max)	115°F (46 C)
	(Min)	0°F (-18 C)
Heating	(Max)	75°F (24 C)
	(Min)	0°F (-18 C)
Refrigerant Piping Data		
Gas Pipe Size (OD)		5/8-in
Liquid Pipe Size (OD)		3/8-in
Connection Method		Flared
MAX Refrigerant Pipe Length		164-ft
MIN Refrigerant Pipe Length		10-ft
MAX Refrigerant Pipe Elevation		98-ft

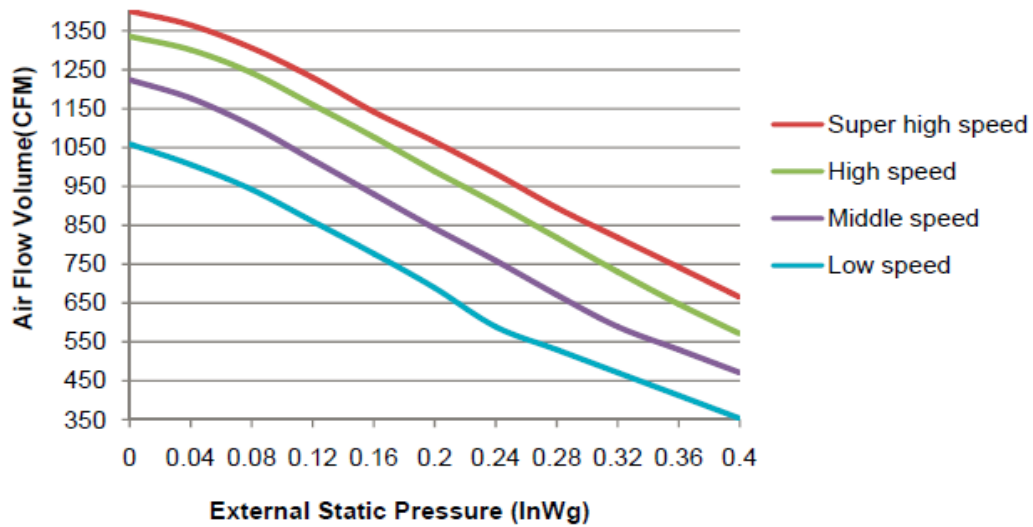
Indoor Unit Data

Fan Motor	Output Power	1/3HP
	FLA	2.1A
Airflow		
	Cooling Wet (Lo/Hi)	950/1175 CFM
	Heating Dry (Lo/Hi)	950/1175 CFM
Sound Pressure Level		
	Cooling (Min/Max)	44/53 db(A)
	Heating (Min/Max)	44/53 db(A)
Dehumidification		
		1.42 pt/hr
Condensate Drain Lift (Height)		
		39-in
Power Supply		
	Normal Operational Voltage	208/230 V, 1 Phase, 60 Hz
	Voltage Range	187 - 253 V
	Interconnecting Cable Wire Size	18-2 AWG
	MCA	3.0A
	MOCP/Breaker Size	15A

Outdoor Unit Data

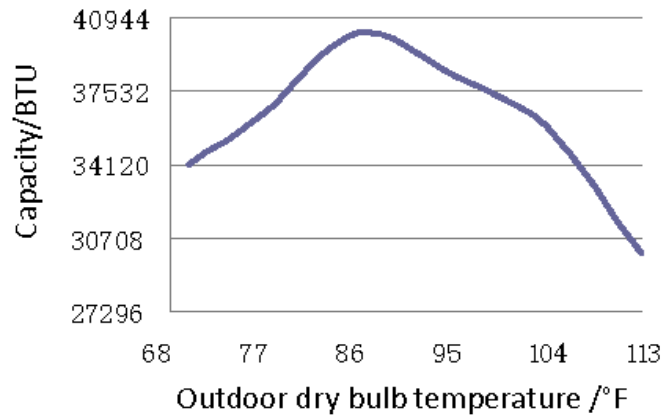
Compressor		DC Inverter Driven Rotary
Refrigerant Type		R410A
Fan Motor	Output Power	2 x 1/6HP
	FLA	2 x 2.0 A
Sound Pressure		
	Cooling/Heating	61/61 db(A)
Power Supply		
	Normal Operational Voltage	208/230 V, 1 Phase, 60 Hz
	Voltage Range	187 - 253 V
	MCA	31.0A
	MOCP/Breaker Size	50A

FAN PERFORMANCE CURVES

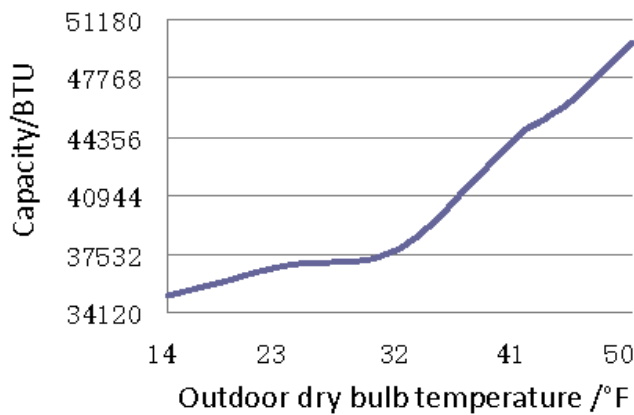


EXTENDED RATINGS

COOLING PERFORMANCE



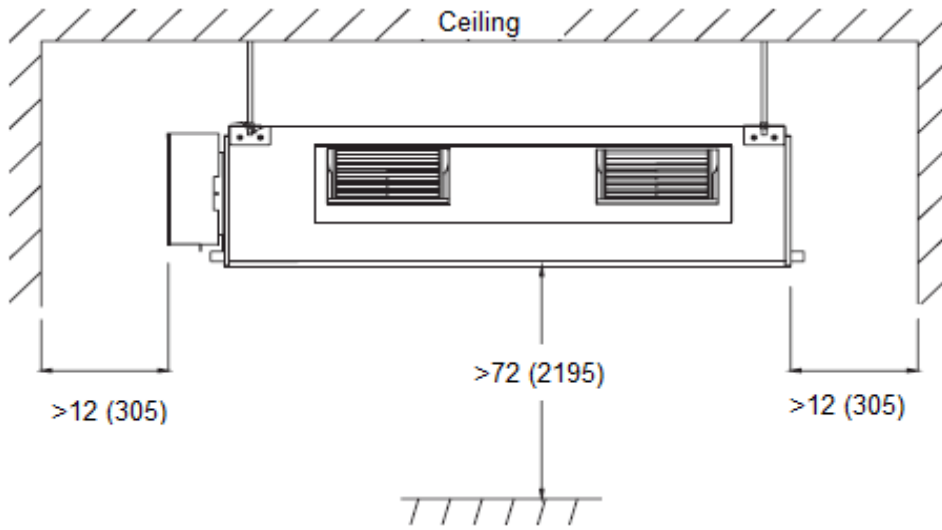
HEATING PERFORMANCE



MINIMUM SPACING REQUIREMENTS

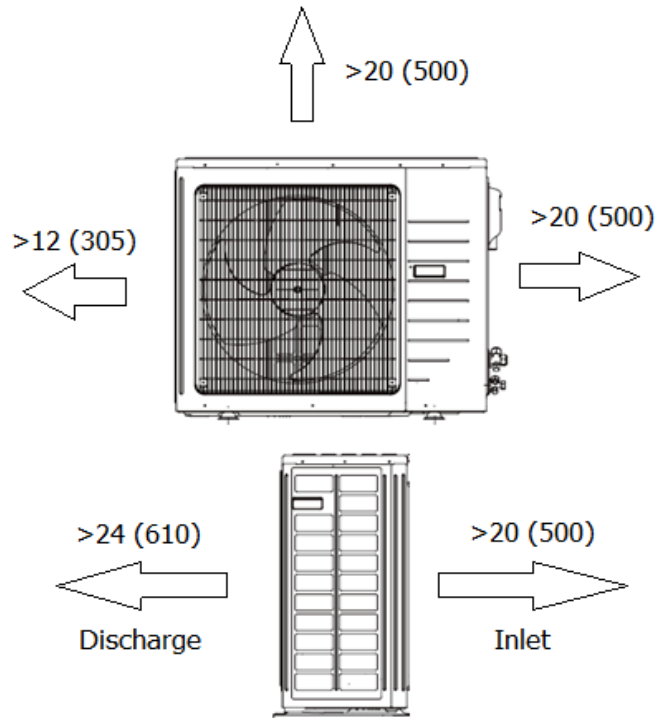
Units: inch (mm)

INDOOR



Units: inch (mm)

OUTDOOR

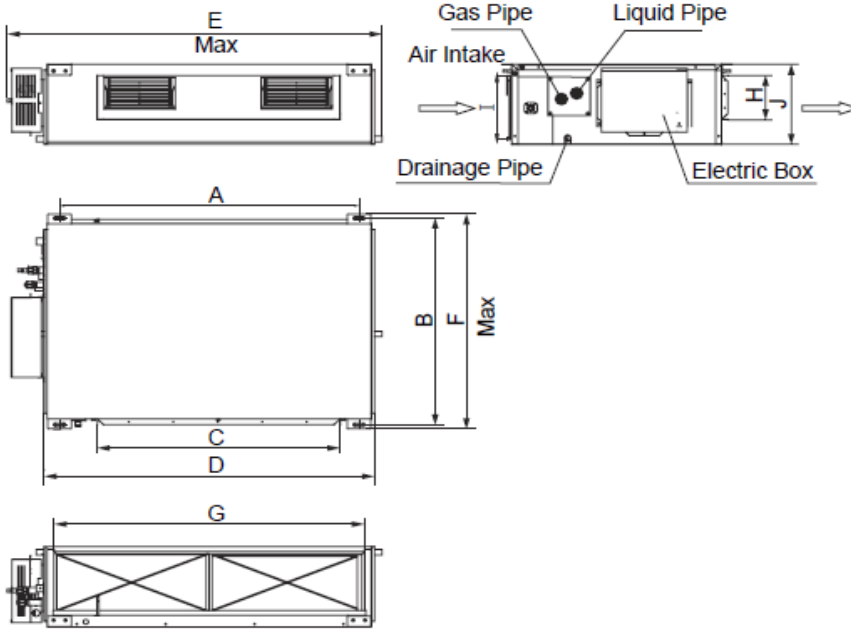


DIMENSIONAL SPECIFICATIONS

TU42HFI

INDOOR UNIT DIMENSIONS & WEIGHTS

Units: inch (mm)



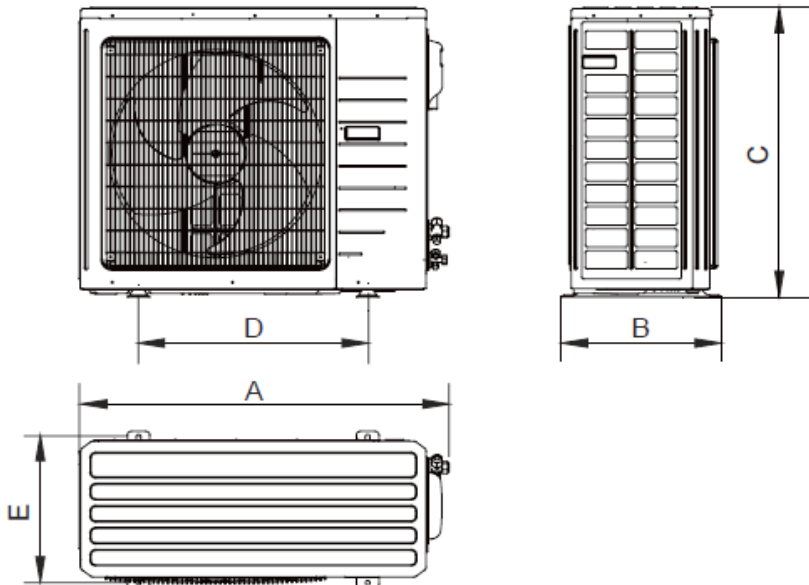
A	39.75	(1011)
B	29.5	(748)
C	32.25	(820)
D	43.875	(1115)
E	48.25	(1226)
F	30.5	(775)
G	38.5	(979)
H	6.25	(160)
I	9.125	(231)
J	11.375	(290)

Net Weight	101 lbs
Shipping Weight	117 lbs

Liquid Line Valve	3/8-in OD Flared
Gas Line Valve	5/8-in OD Flared
Drain Connector	1-in OD

OUTDOOR UNIT DIMENSIONS & WEIGHTS

Units: inch (mm)



A	37.75	(958)
B	16.25	(412)
C	53.125	(1349)
D	22.5	(572)
E	14.75	(376)

Net Weight	210 lbs
Shipping Weight	232 lbs

Liquid Line Valve	3/8-in OD Flared
Gas Line Valve	5/8-in OD Flared

Notes:

1. Recommended Communication Cable Type 18-2 AWG Stranded Copper THHN 600V Wire
2. Power wiring cable size must comply with applicable national and local codes.
3. Test conditions are based on AHRI 210/240.