

**Submittal Data: TU48HFI** 48,000 BTUH Slim Duct Heat Pump System

Job Name \_\_\_\_\_ Location \_\_\_\_\_ Date \_\_\_\_\_

Purchaser \_\_\_\_\_ Engineer \_\_\_\_\_

Submitted To \_\_\_\_\_ For  Reference  Approval  Construction

Unit Designation \_\_\_\_\_ Schedule No. \_\_\_\_\_

- GENERAL FEATURES**
- Multi-Speed Fan
  - Medium Static Pressure Capability
  - Flexible Return Air From Bottom Or Rear
  - Internal Condensate Drain Pump
  - Sentry Condensate Overflow Protection
  - Wired Remote Controllers
  - Gold Fin Condenser Coating



**System Ratings**

<b>Cooling</b>		
Rated Capacity		48,000 BTU/H
Capacity Range		20,400-49,500 BTU/H
Power Input (Max)		5,600 W
SEER		16.0
EER		9.3
<b>Heating at 47° F</b>		
Rated Capacity		54,500 BTU/H
Capacity Range		17,500-58,000 BTU/H
Power Input (Max)		5,500 W
HSPF		9.0
COP		3.1
<b>Heating at 17° F</b>		
Rated Capacity		30,600 BTU/H
<b>Operating Range</b>		
Cooling	(Max)	115°F (46 C)
	(Min)	0°F (-18 C)
Heating	(Max)	75°F (24 C)
	(Min)	0°F (-18 C)
<b>Refrigerant Piping Data</b>		
Gas Pipe Size (OD)		5/8-in
Liquid Pipe Size (OD)		3/8-in
Connection Method		Flared
MAX Refrigerant Pipe Length		164-ft
MIN Refrigerant Pipe Length		10-ft
MAX Refrigerant Pipe Elevation		98-ft

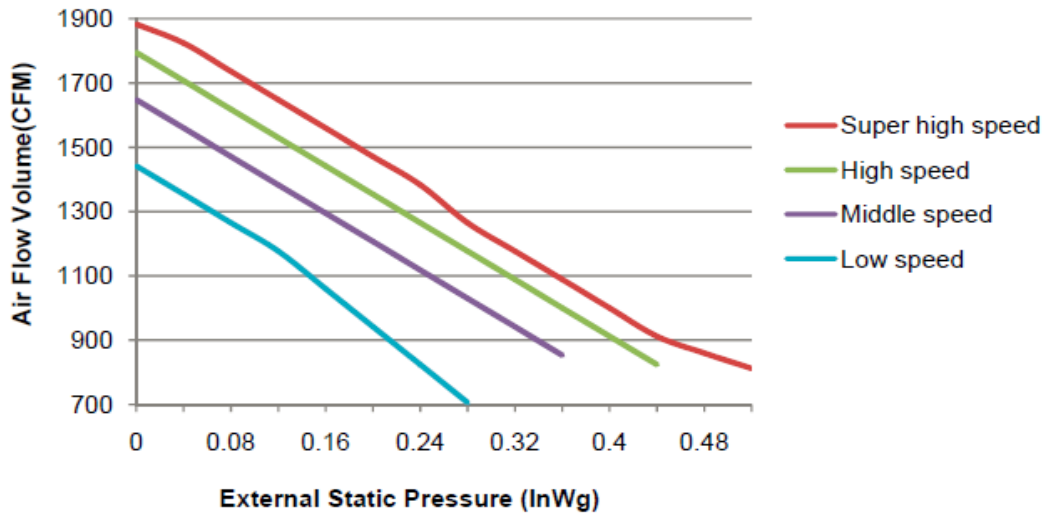
**Indoor Unit Data**

<b>Fan Motor</b>	Output Power	3/4HP
	FLA	4.0A
<b>Airflow</b>		
Cooling	Wet (Lo/Hi)	900/1470 CFM
Heating	Dry (Lo/Hi)	900/1470 CFM
<b>Sound Pressure Level</b>		
Cooling	(Min/Max)	41/53 db(A)
Heating	(Min/Max)	41/53 db(A)
<b>Dehumidification</b>		
		1.80 pt/hr
<b>Condensate Drain Lift (Height)</b>		
		39-in
<b>Power Supply</b>		
Normal Operational Voltage		208/230 V, 1 Phase, 60 Hz
Voltage Range		187 - 253 V
Interconnecting Cable Wire Size		18-2 AWG
MCA		5.0A
MOCP/Breaker Size		15A

**Outdoor Unit Data**

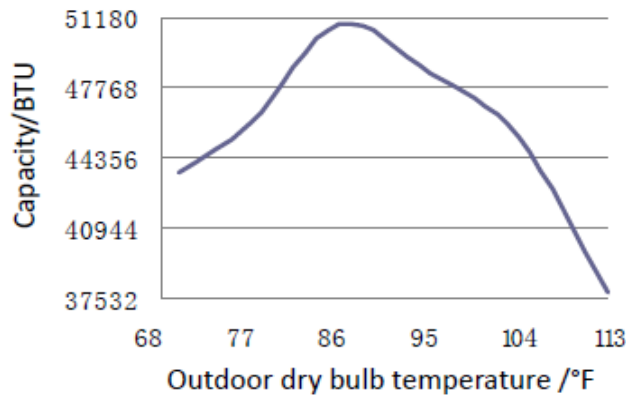
<b>Compressor</b>		DC Inverter Driven Rotary
<b>Refrigerant Type</b>		R410A
<b>Fan Motor</b>	Output Power	2 x 1/6HP
	FLA	2 x 2.0 A
<b>Sound Pressure</b>		
Cooling/Heating		59/59 db(A)
<b>Power Supply</b>		
Normal Operational Voltage		208/230 V, 1 Phase, 60 Hz
Voltage Range		187 - 253 V
MCA		45.0A
MOCP/Breaker Size		70A

### FAN PERFORMANCE CURVES

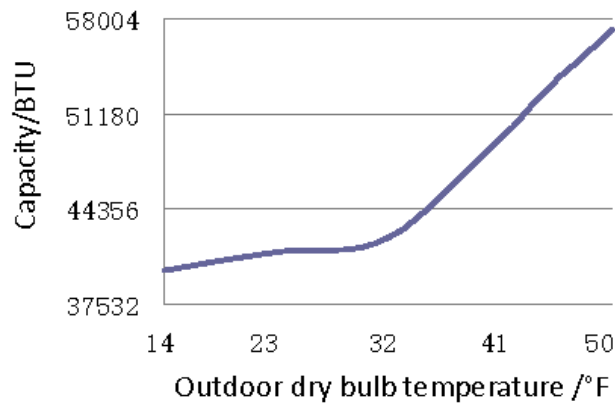


### EXTENDED RATINGS

#### COOLING PERFORMANCE



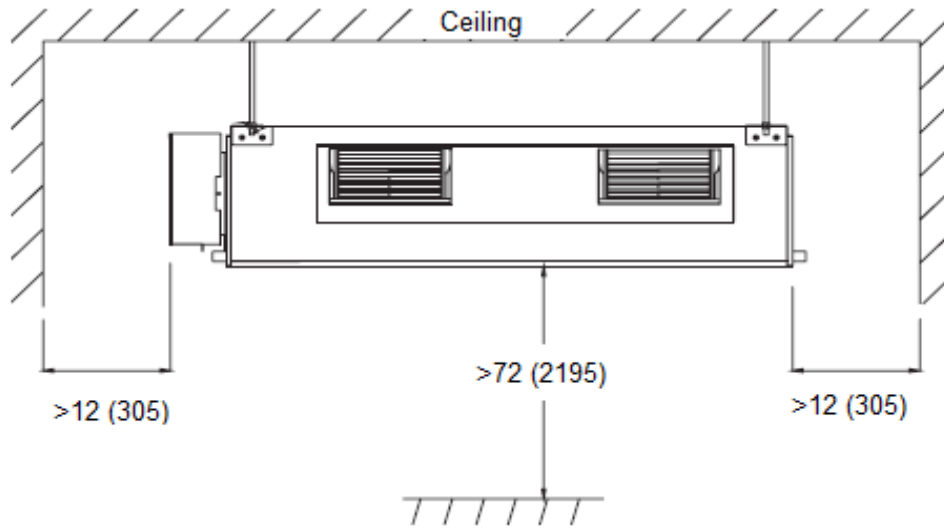
#### HEATING PERFORMANCE



**MINIMUM SPACING REQUIREMENTS**

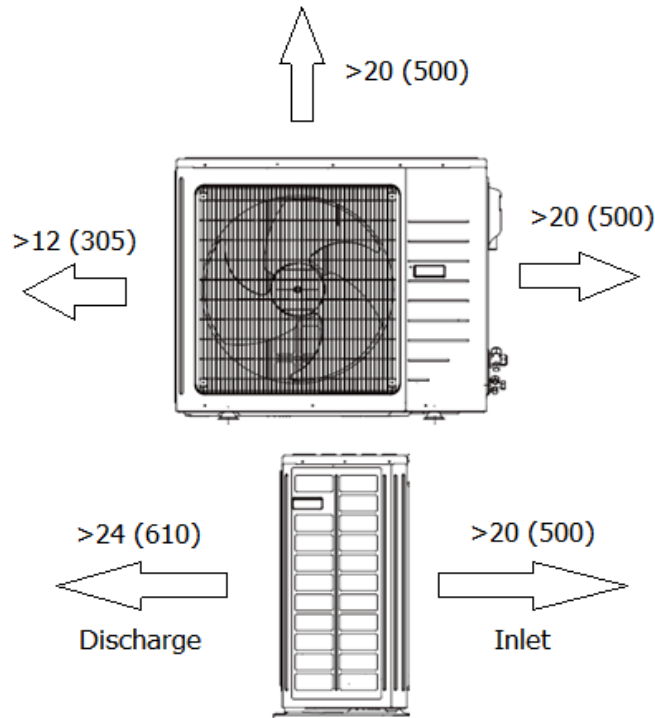
Units: inch (mm)

**INDOOR**



Units: inch (mm)

**OUTDOOR**

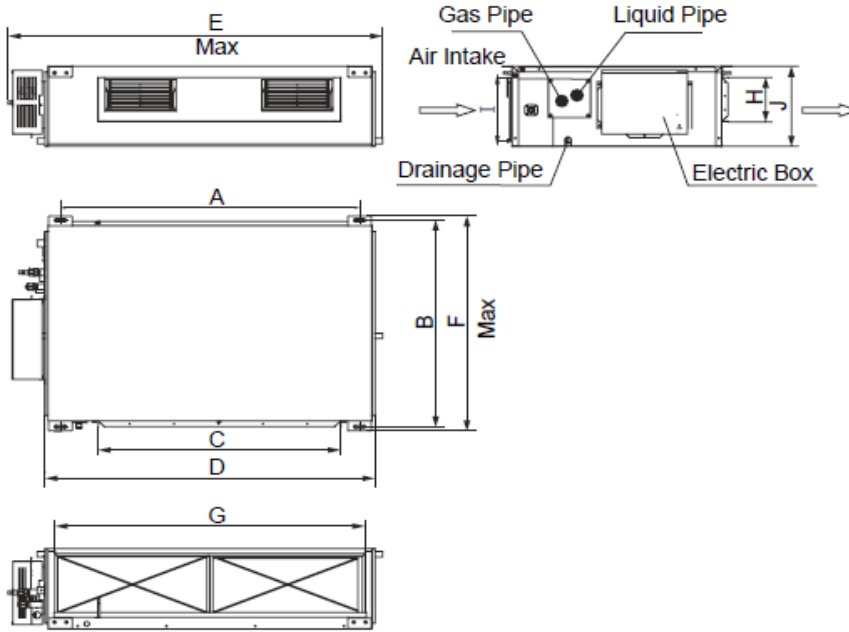


## DIMENSIONAL SPECIFICATIONS

## TU48HFI

### INDOOR UNIT DIMENSIONS & WEIGHTS

Units: inch (mm)



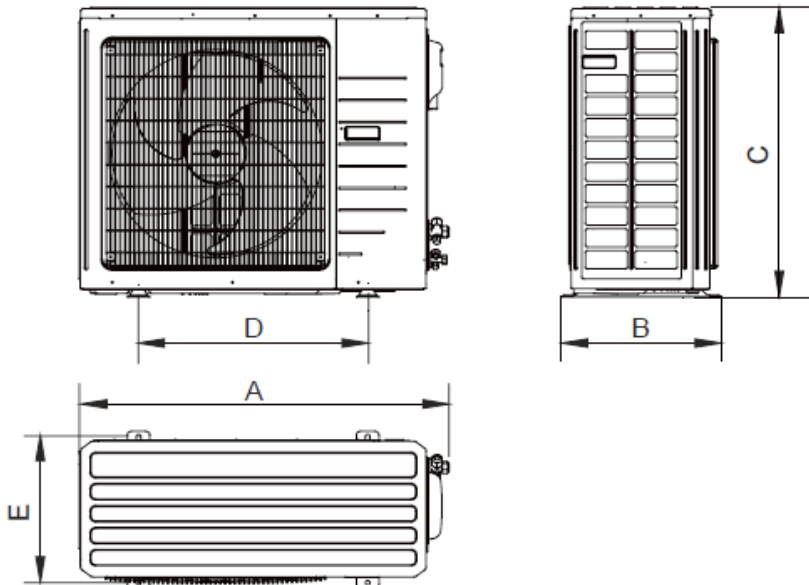
A	43.375	(1177)
B	25.375	(646)
C	33.5	(852)
D	45.25	(1150)
E	52.75	(1340)
F	29.5	(750)
G	37.5	(953)
H	7.5	(190)
I	12.5	(316)
J	13.75	(350)

Net Weight	124 lbs
Shipping Weight	143 lbs

Liquid Line Valve	3/8-in OD Flared
Gas Line Valve	5/8-in OD Flared
Drain Connector	1-in OD

### OUTDOOR UNIT DIMENSIONS & WEIGHTS

Units: inch (mm)



A	37.75	(958)
B	16.25	(412)
C	53.125	(1349)
D	22.5	(572)
E	14.75	(376)

Net Weight	232 lbs
Shipping Weight	254 lbs

Liquid Line Valve	3/8-in OD Flared
Gas Line Valve	5/8-in OD Flared

**Notes:**

1. Recommended Communication Cable Type 18-2 AWG Stranded Copper THHN 600V Wire
2. Power wiring cable size must comply with applicable national and local codes.
3. Test conditions are based on AHRI 210/240.