

AHU Kit	MODEL: TVRF-AHU16T	<b>TOSOT</b>
---------	--------------------	--------------

Job Name: \_\_\_\_\_  
 Engineer Name: \_\_\_\_\_  
 System No: \_\_\_\_\_

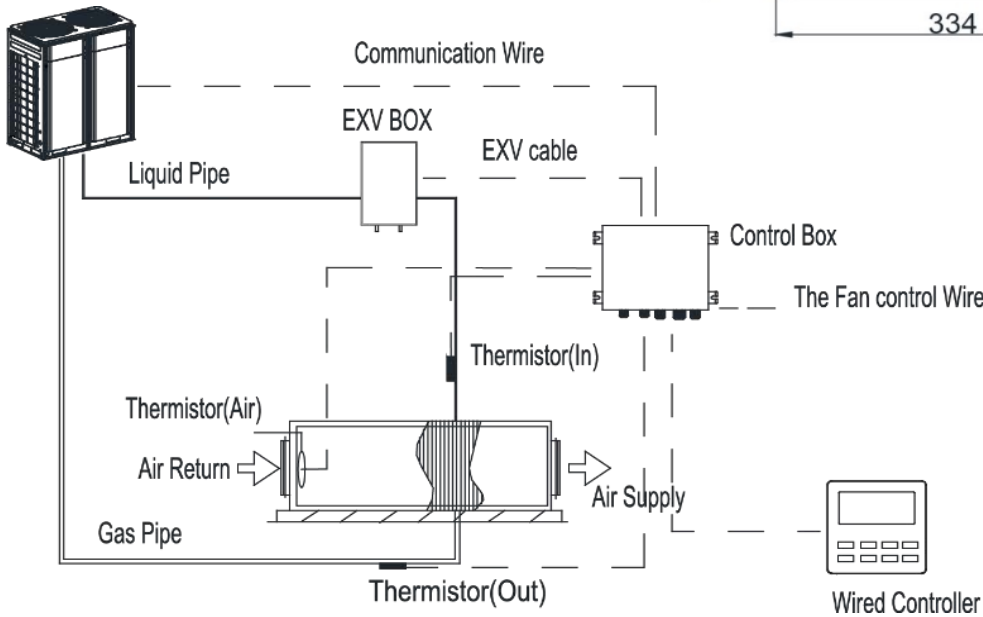
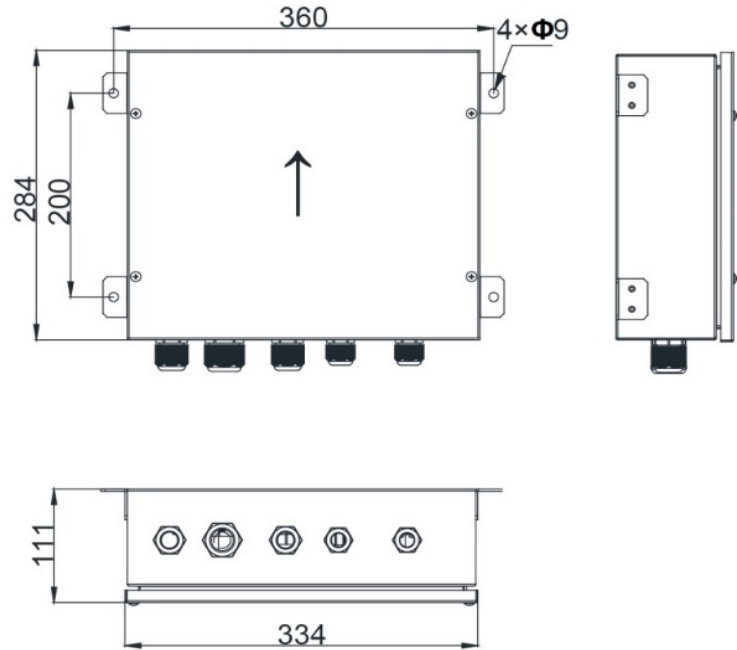
Location: \_\_\_\_\_  
 Contractor: \_\_\_\_\_  
 Date: \_\_\_\_\_



Specifications		Model Name
Unit Type		TVRF-AHU16T
Cooling Capacity	kW	56
	Btu/h	191,080
Heating Capacity	kW	62.5
	Btu/h	231,259
External Dimensions (W×HxD)	Control Box	13 1/7×11 1/6×4 3/8
	EXVBox	9 2/3×19 2/3×4 5/7
Net Weight	Lbs. / Kg	26 / 11.8
Electrical Power Requirements	Voltage, Phase, Hertz	208~230V,1ph,60
Refrigerant		R410A
Connection method		Brazing Connection
Refrigerant Piping Dimensions (In./mm)	Liquid	5/8
	Gas	1 1/8

Model	capacity (Btu/h)	Allowable capacity of heat exchanger (Btu/h)		Suggested air volume CFM	
		Minimum	Maximum		
TVRF-AHU16T	144,000	145,000	162,000	4355	4709
	168,000	162,500	181,500	4709	3296
	192,000	182,000	200,000	5062	5415

**Outline Dimension Diagram**



**TOSOT**

5965 Chemin de la Côte de Liesse  
Saint laurent, QC, Canada, H4T 1C3

Contact: +1 438 792 1956

[info@tosotusa.com](mailto:info@tosotusa.com)

[www.tosotusa.com](http://www.tosotusa.com)