

AHU Kit	MODEL: TVRF-AHU1T	TOSOT
---------	-------------------	--------------

Job Name: _____
 Engineer Name: _____
 System No: _____

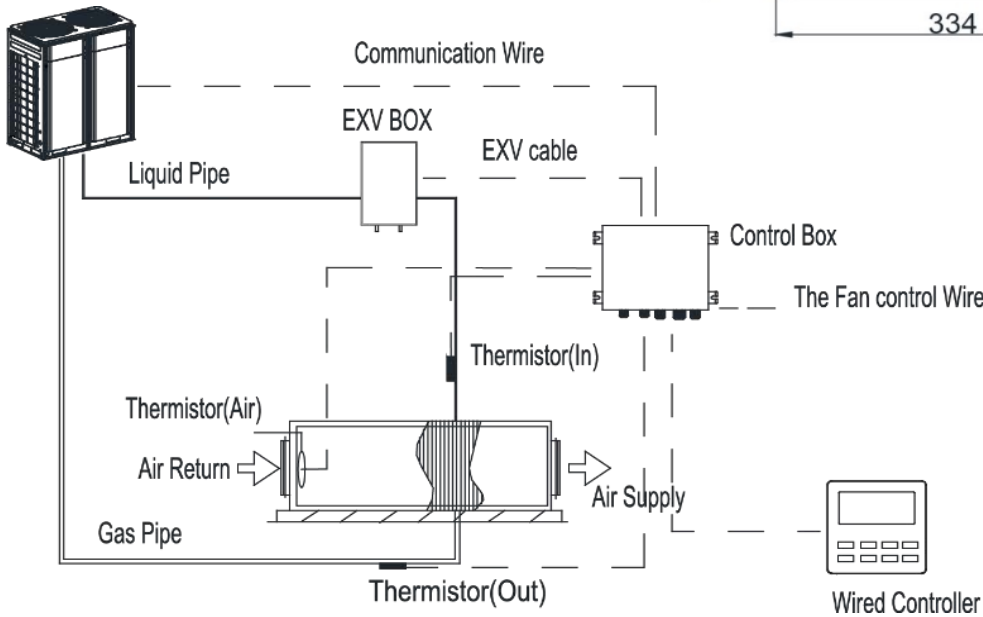
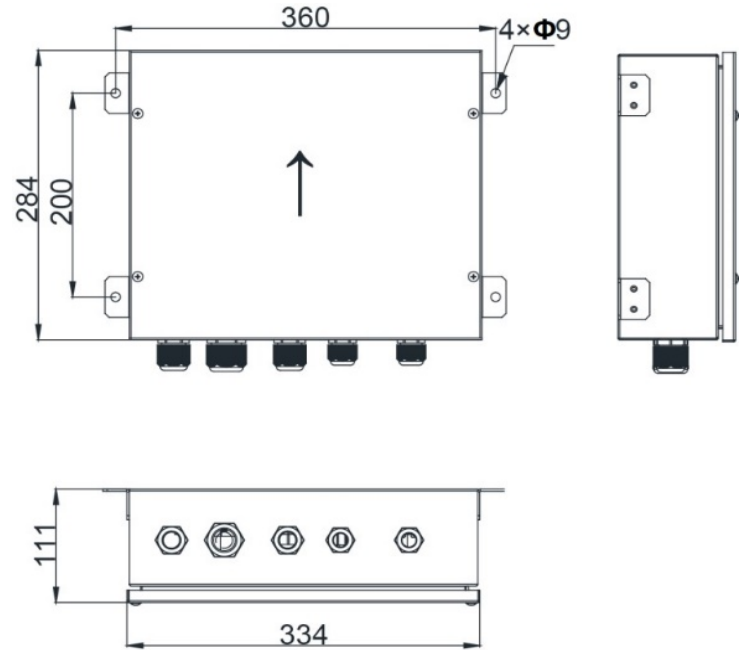
Location: _____
 Contractor: _____
 Date: _____



Specifications		Model Name
Unit Type		TVRF-AHU1T
Cooling Capacity	kW	3.6
	Btu/h	12,000
Heating Capacity	kW	4.0
	Btu/h	13,500
External Dimensions (W×HxD)	Control Box	13 1/7×11 1/6×4 3/8
	EXVBox	8×12 5/6×3 1/3
Net Weight	Lbs. / Kg	19 / 8.6
Electrical Power Requirements	Voltage, Phase, Hertz	208~230V,1ph,60
Refrigerant		R410A
Connection method		Brazing Connection
Refrigerant Piping Dimensions (In./mm)	Liquid	3/8
	Gas	1/4

Model	capacity (Btu/h)	Allowable capacity of heat exchanger (Btu/h)		Suggested air volume	
		Minimum	Maximum	CFM	
TVRF-AHU1T	9,000	8,600	10,500	265	324
	12,000	11,000	13,500	324	412

Outline Dimension Diagram



TOSOT

5965 Chemin de la Côte de Liesse
Saint laurent, QC, Canada, H4T 1C3

Contact: +1 438 792 1956

info@tosotusa.com

www.tosotusa.com