

AHU Kit	MODEL: TVRF-AHU4T	TOSOT
---------	-------------------	--------------

Job Name: _____
 Engineer Name: _____
 System No: _____

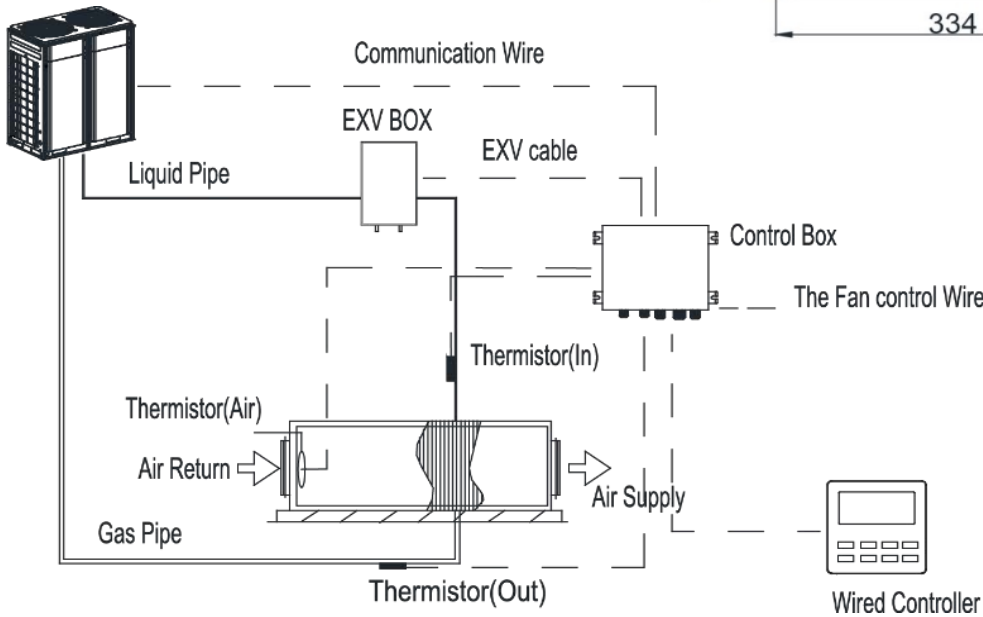
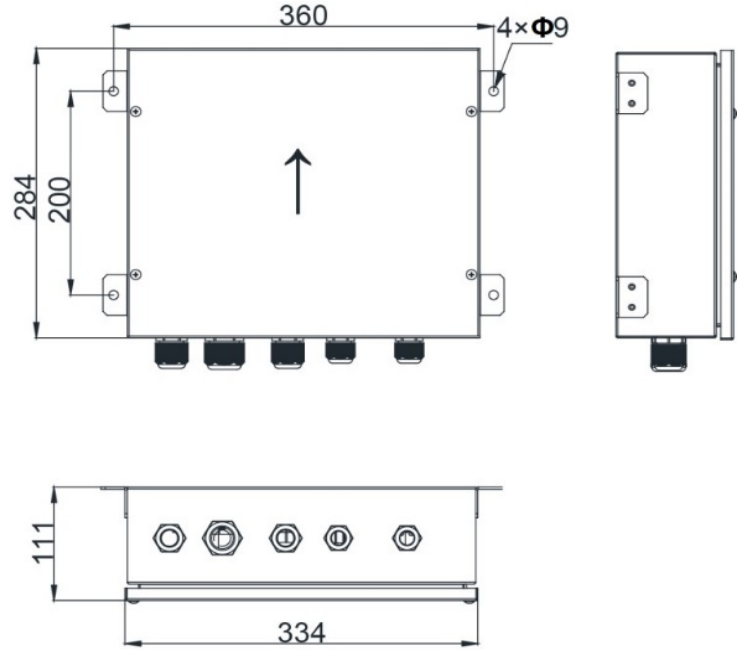
Location: _____
 Contractor: _____
 Date: _____



Specifications		Model Name
Unit Type		TVRF-AHU4T
Cooling Capacity	kW	14
	Btu/h	47,770
Heating Capacity	kW	16
	Btu/h	54,594
External Dimensions (W×H×D)	Control Box	13 1/7×11 1/6×4 3/8
	EXVBox	8×12 5/6×3 1/3
Net Weight	Lbs. / Kg	19 / 8.6
Electrical Power Requirements	Voltage, Phase, Hertz	208~230V,1ph,60
Refrigerant		R410A
Connection method		Brazing Connection
Refrigerant Piping Dimensions (In.)	Liquid	3/8
	Gas	5/8

Model	capacity (Btu/h)	Allowable capacity of heat exchanger (Btu/h)		Suggested air volume CFM	
		Minimum	Maximum		
TVRF-AHU4T	30,000	27,000	34,000	883	1089
	36,000	34,000	42,000	1089	1236
	48,000	42,000	52,500	1236	1413

Outline Dimension Diagram



TOSOT

5965 Chemin de la Côte de Liesse
Saint laurent, QC, Canada, H4T 1C3

Contact: +1 438 792 1956

info@tosotusa.com

www.tosotusa.com