

AHU Kit	MODEL: TVRF-AHU8T	TOSOT
---------	-------------------	--------------

Job Name: _____
 Engineer Name: _____
 System No: _____

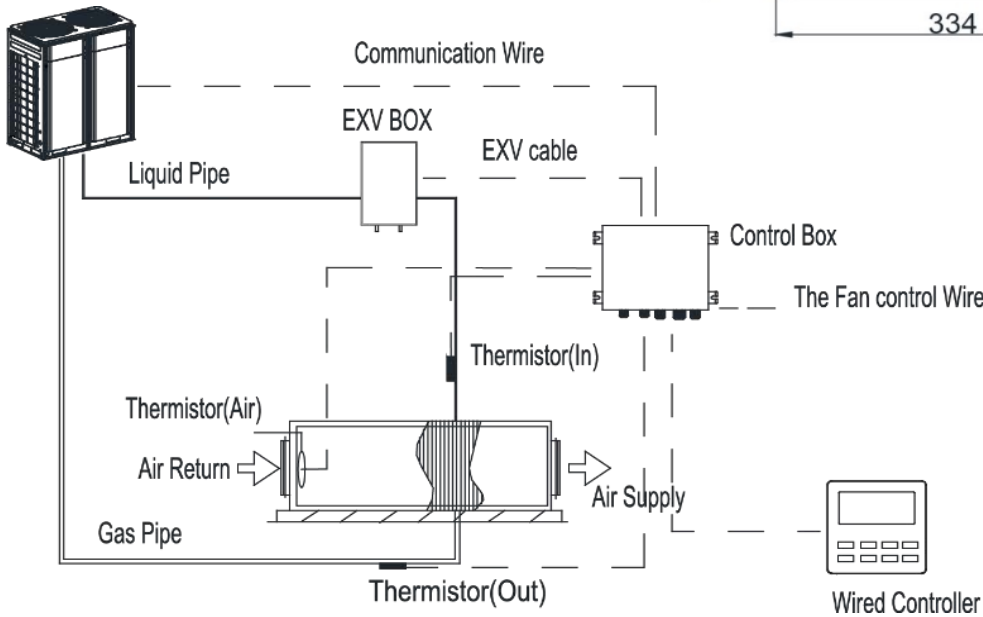
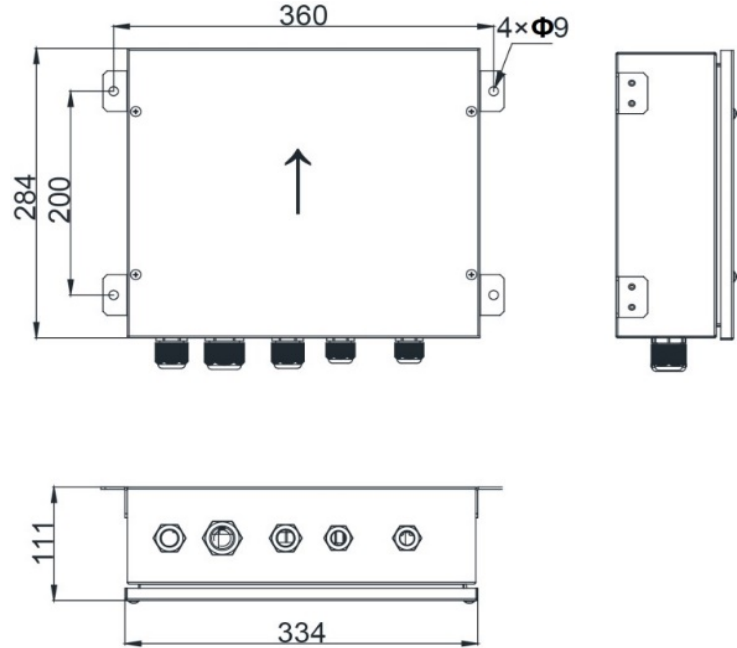
Location: _____
 Contractor: _____
 Date: _____



Specifications		Model Name
Unit Type		TVRF-AHU8T
Cooling Capacity	kW	28
	Btu/h	95,540
Heating Capacity	kW	31.5
	Btu/h	107,482.0
External Dimensions (W×HxD)	Control Box	13 1/7×11 1/6×4 3/8
	EXVBox	8×12 5/6×3 1/3
Net Weight	Lbs. / Kg	19 / 8.6
Electrical Power Requirements	Voltage, Phase, Hertz	208~230V,1ph,60
Refrigerant		R410A
Connection method		Brazing Connection
Refrigerant Piping Dimensions (In./mm)	Liquid	3/8
	Gas	7/8

Model	capacity (Btu/h)	Allowable capacity of heat exchanger (Btu/h)		Suggested air volume CFM	
		Minimum	Maximum		
TVRF-AHU8T	72,000	60,500	84,000	2178	2472
	96,000	84,000	105,000	2472	2825

Outline Dimension Diagram



TOSOT

5965 Chemin de la Côte de Liesse
 Saint laurent, QC, Canada, H4T 1C3

Contact: +1 438 792 1956

info@tosotusa.com

www.tosotusa.com