

Cold And Heat Mode Exchanger

MODEL: TVRF-SHCBU1T1

TOSOT

Job Name: _____

Location: _____

Engineer Name: _____

File Resubmit

Contractor: _____

System No: _____

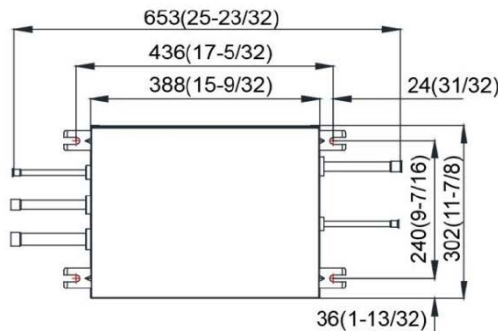
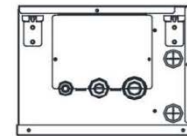
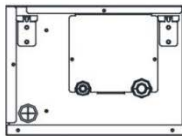
Approval Other

Date: _____

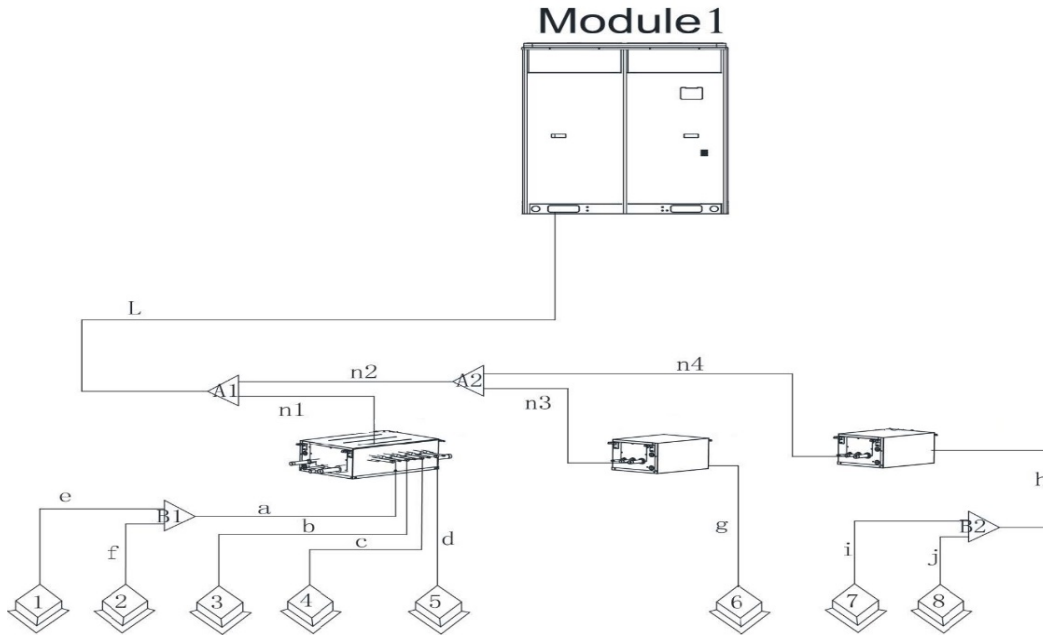
Model	Unit	TVRF-SHCBU1T1	
Max. IDU Branches	/	1	
No. of connectable IDU of each branch	/	8	
Total Connectable IDU	/	8	
Max. Capacity of each branch	kW	14	
	KBtu/h	48.0	
Max. Capacity of connectable IDU	kW	14	
	Btu/h	48.0	
Power supply	V/Ph/Hz	208/230V 1Ph 60Hz	
Power consumption	W	8	
Outdoor Unit Piping Connection	Liquid	mm	9.52
		In.	3/8
	Gas(Low pressure)	mm	22.2
		In.	7/8
	Gas(High pressure)	mm	15.9
		In.	5/8
Indoor Unit Piping Connection	Liquid	mm	9.52
		In.	3/8
	Gas	mm	15.9
		In.	5/8



Unit outline dimension: mm (in.)



Connection sketch map of single-module system



Connection sketch map of multi-module system,

