

Cold And Heat Mode Exchanger

MODEL: TVRF-SHCBU1T4

TOSOT

Job Name: \_\_\_\_\_

Location: \_\_\_\_\_

Engineer Name: \_\_\_\_\_

File  Resubmit

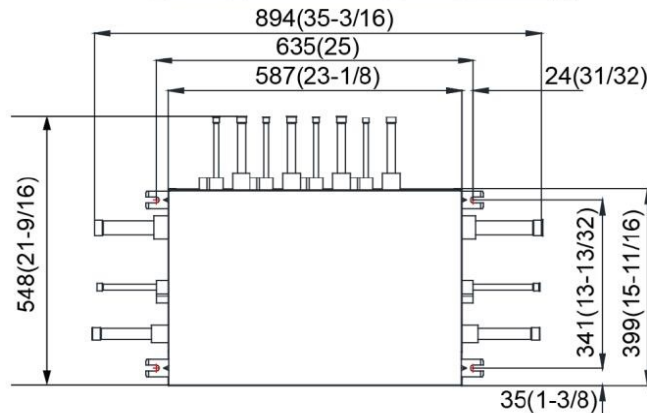
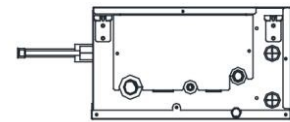
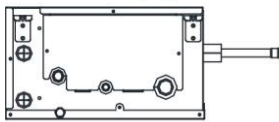
Contractor: \_\_\_\_\_

System No: \_\_\_\_\_

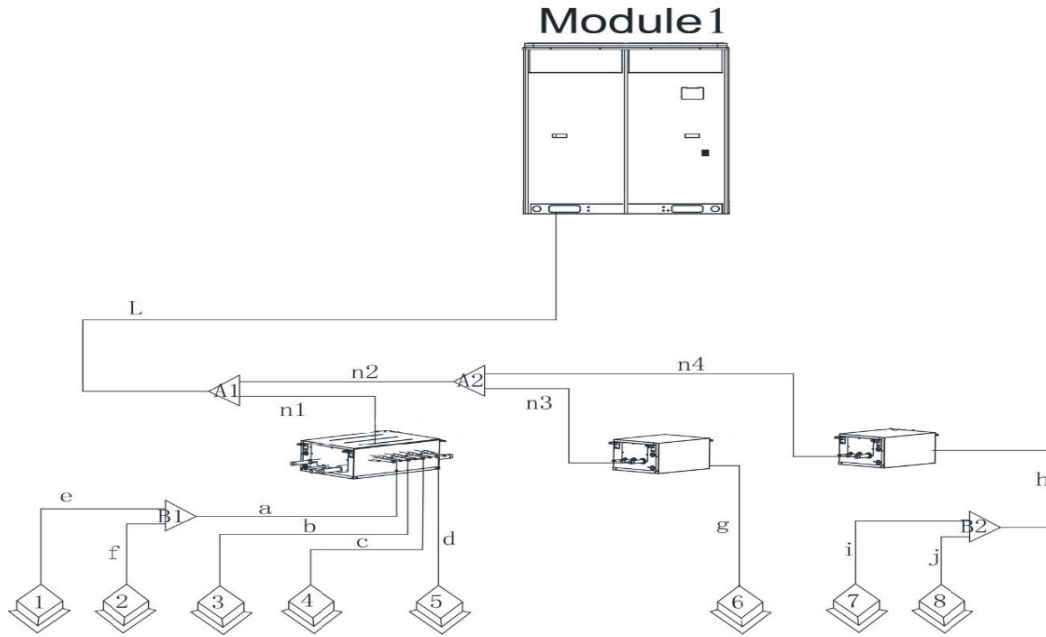
Approval  Other

Date: \_\_\_\_\_

Model	Unit	TVRF-SHCBU1T4	
Max. IDU Branches	/	4	
No. of connectable IDU of each branch	/	8	
Total Connectable IDU	/	32	
Max. Capacity of each branch	kW	14	
	KBtu/h	48.0	
Max. Capacity of connectable IDU	kW	45	
	Btu/h	153	
Power supply	V/Ph/Hz	208/230V 1Ph 60Hz	
Power consumption	W	32	
Outdoor Unit Piping Connection	Liquid	mm	12.7
		In.	1/2
	Gas(Low pressure)	mm	28.6
		In.	1 1/8
	Gas(High pressure)	mm	19.05
		In.	3/4
Indoor Unit Piping Connection	Liquid	mm	9.52
		In.	3/8
	Gas	mm	15.9
		In.	5/8



Connection sketch map of single-module system



Connection sketch map of multi-module system,

