

Single zone inverter mini split

MODEL: TW12HTA3D / TM12HFDI

TOSOT

Job Name:

Engineer Name:

System No:

- File Resubmit
 Approval Other

Location:

Contractor:

Date:

General Features

- 2 Thermistor control
- 24-Hour on/off Timer
- Auto operation
- Auto restart
- Chaos swing
- Control lock function
- Drain Pump
- Inverter
- High And Low Pressure Protection Features
- Load Protection Features
- Over-Current Protection
- Anti Freeze Protection



Unit Performance:

<i>Cooling:</i>	
Capacity (Min-Rated-Max, Btu/h)	3,100-12,000-13,000
SEER	25
EER	12.8
<i>Heating:</i>	
Capacity (Min-Rated-Max, Btu/h)	2,400-13,000-14,000
HSPF	10
COP (W/W)	3.5

Unit Specification

Refrigerant Type	R410A
Refrigerant Charge (oz)	45.9
ODU Sound Pressure (dB(A))	49
IDU Sound Pressure (dB(A))	39/35/32
ODU Net Weight (lbs)	87
IDU Net Weight (lbs)	50.7
Dehumidifying (Pint/h)	2.96

Fan

ODU / IDU Type	Axial-flow/Centrifugal
Quantity (ODU + IDU)	1+2
Motor/Drive	Direct Drive
ODU Max Air Flow Rate (CFM)	2000
IDU Air Flow Rate (CFM)	324/235/176

Compressor

Cooling Operation Ambient temp. Range	- 0.4~115 °F
Heating Operation Ambient temp. Range	-5~75.2 °F
Compressor Type	Rotary
Fan Motor Output (W)	40
Crankcase Heater	Yes

Electrical Specification

Power Supply	208-230V / 60Hz
Communications Wire Size	AWG 18
MOP (A)	15
MCA (A)	10
Cooling Rated Amps (A)	9
Heating Rated Amps (A)	9
Compressor RLA (A)	6.2
Indoor Fan Motor RLA (A)	0.35
Outdoor Fan Motor RLA (A)	0.18
Nominal Cooling Power Input (kW)	0.88
Nominal Heating Power Input (kW)	0.96

Piping

Liquid Line (in, OD)	1/4
Gas Line (in, OD)	1/2
Additional Refrigerant (oz./ft.)	0.215
Max Pipe Length (ft.)	65.6
Piping Length (no add'l refrigerant, ft.)	24.6
Max Elevation (ft.)	32.8

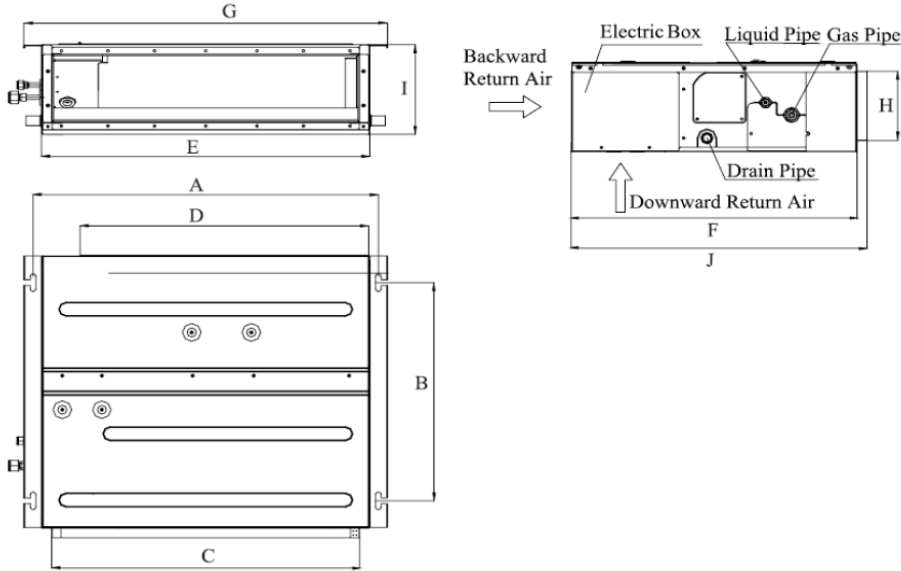


Single zone inverter mini split

MODEL: TW12HTA3D / TM12HFDI

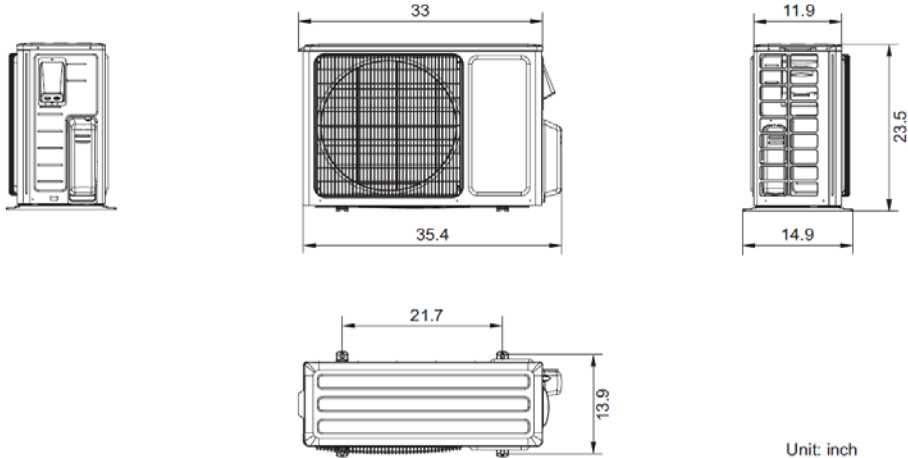
TOSOT

Outline Dimension Diagram



	mm	Inch
A	742	29 7/32
B	491	19 21/64
C	662	26 1/16
D	620	24 13/32
E	700	27 9/16
F	615	24 7/32
G	782	30 25/32
H	156	6 9/64
I	200	4 7/8
J	635	25

09/12K



Unit: inch

GLOSSARY

SEER - Seasonal Energy Efficiency Ratio

EER - Energy Efficiency Ratio

HSPF - Heating Seasonal Performance Factor

MOP - Maximum Overcurrent Protection

MCA - Minimum Circuit Ampacity

TOSOT

5965 Chemin de la Côte de Liesse
Saint laurent, QC, Canada, H4T 1C3

Contact: +1 438 792 1956

info@tosotusa.com

www.tosotusa.com