

Single zone inverter mini split

MODEL: TW24HQ2A1D

TOSOT

Job Name:

Engineer Name:

System No:

- File       Resubmit  
 Approval    Other

Location:

Contractor:

Date:

**General Features**

- Smart 1 Hertz Inverter Technology
- Low Ambient Cooling to 5 °F
- Multiple Fan Speeds
- Memory Function
- Fan Delay Function
- Intelligent Pre-heating / Defrost
- LED display
- Control lock
- Wi-Fi (Optional)
- Auto Clean
- Gold Fin Condenser
- Low Voltage Start-up
- High And Low Pressure Protection Features
- Load Protection Features
- Over-Current Protection
- Anti Freeze Protection



**Unit Performance:**

<i>Cooling:</i>	
Capacity (Min-Rated-Max, Btu/h)	6,820-22,000-27,000
SEER	20
EER	12.5
<i>Heating:</i>	
Capacity (Min-Rated-Max, Btu/h)	6,820 -23,000- 30,710
HSPF	10
COP (W/W)	3.37

\*\*\*\*

**Unit Specification**

Refrigerant Type	R410A
Refrigerant Charge (oz)	77.6
ODU Sound Pressure (dB(A))	59
IDU Sound Pressure (dB(A))	36 / 48
ODU Net Weight (lbs)	142
IDU Net Weight (lbs)	34.2
Dehumidifying (Pint/h)	4.23

*Fan*

ODU / IDU Type	Axial-flow/Cross-flow
Quantity (ODU + IDU)	1+1
Motor/Drive	Direct Drive
ODU Max Air Flow Rate (CFM)	4000
IDU Air Flow Rate (CFM)	530 / 706

**Compressor**

Cooling Operation Ambient temp. Range	0~115 °F
Heating Operation Ambient temp. Range	-5~75 °F
Compressor Type	Rotary
Fan Motor Output (W)	92
Crankcase Heater	Yes

**Electrical Specification**

Power Supply	208-230V / 60Hz
Communications Wire Size	AWG 12
MOP (A)	30
MCA (A)	20
Cooling Rated Amps (A)	14.49
Heating Rated Amps (A)	14.49
Compressor RLA (A)	11.5
Indoor Fan Motor RLA (A)	0.38
Outdoor Fan Motor RLA (A)	0.65
Nominal Cooling Power Input (kW)	1.76
Nominal Heating Power Input (kW)	2

*Piping*

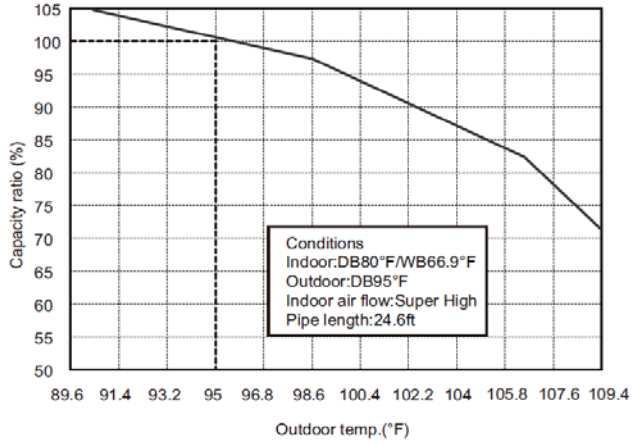
Liquid Line (in, OD)	1/4
Gas Line (in, OD)	5/8
Additional Refrigerant (oz./ft.)	0.5
Max Pipe Length (ft.)	82
Piping Length (no add'l refrigerant, ft.)	24.6
Max Elevation (ft.)	32.8

AHRI certification Ref #

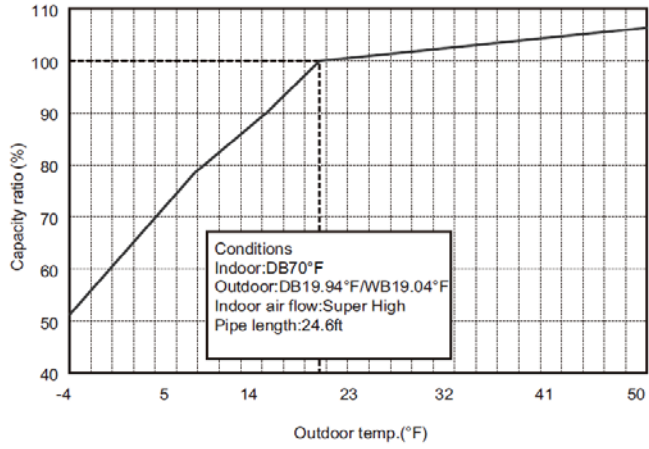


**Capacity Variation Ratio According to Temperature**

Cooling



Heating

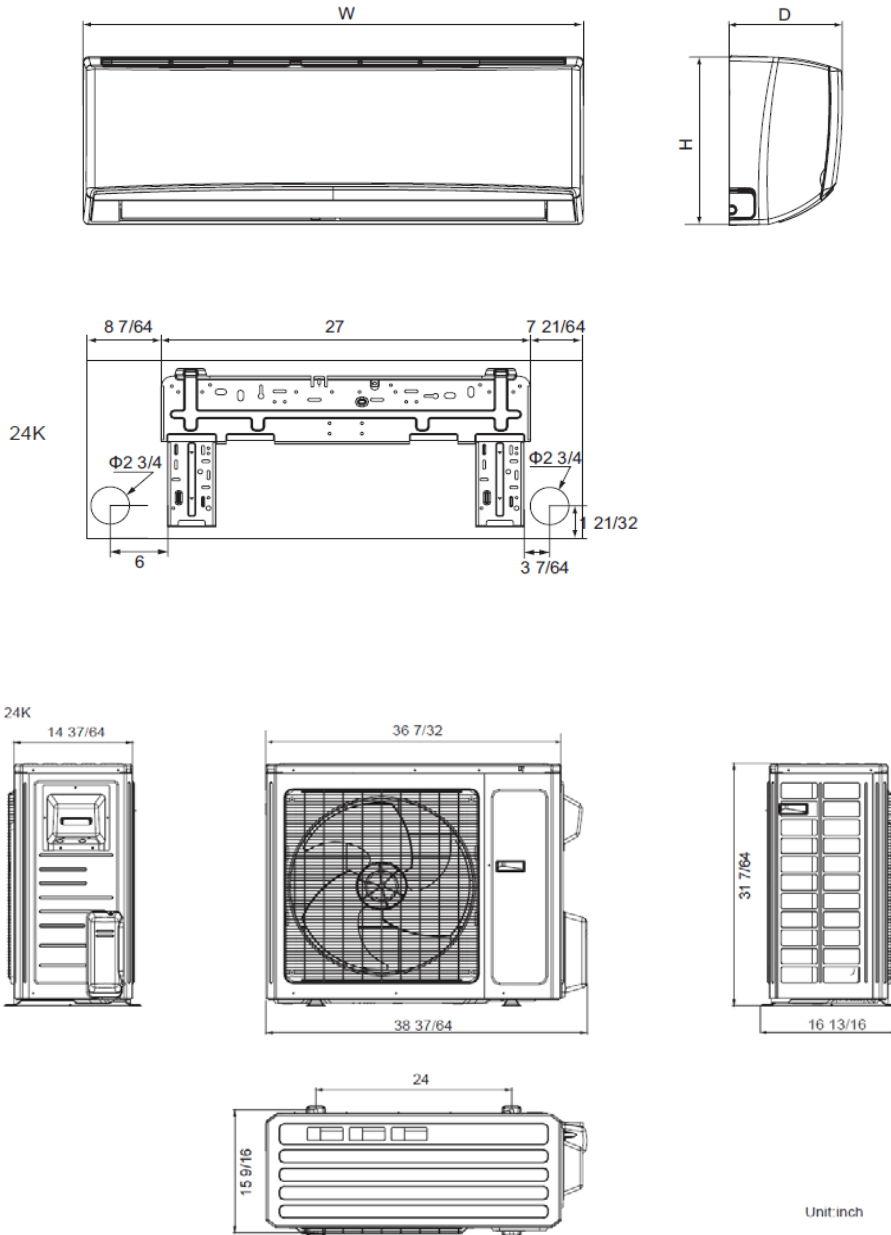


Single zone inverter mini split

MODEL: TW24HQ2A1D

**TOSOT**

**Outline Dimension Diagram**



**GLOSSARY**

SEER - Seasonal Energy Efficiency Ratio

EER - Energy Efficiency Ratio

HSPF - Heating Seasonal Performance Factor

MOP - Maximum Overcurrent Protection

MCA - Minimum Circuit Ampacity

**TOSOT**

5965 Chemin de la Côte de Liesse  
Saint laurent, QC, Canada, H4T 1C3

Contact: +1 438 792 1956

[info@tosotusa.com](mailto:info@tosotusa.com)

[www.tosotusa.com](http://www.tosotusa.com)