

Single zone inverter mini split

MODEL: TW24HTA3D / TM24HFDI

TOSOT

Job Name:

Engineer Name:

System No:

File  Resubmit

Approval  Other

Location:

Contractor:

Date:

**General Features**

- 2 Thermistor control
- 24-Hour on/off Timer
- Auto operation
- Auto restart
- Chaos swing
- Control lock function
- Drain Pump
- Inverter
- High And Low Pressure Protection Features
- Load Protection Features
- Over-Current Protection
- Anti Freeze Protection



**Unit Performance:**

<i>Cooling:</i>	
Capacity (Min-Rated-Max, Btu/h)	6,826-24,000-29,352
SEER	21
EER	12.5
<i>Heating:</i>	
Capacity (Min-Rated-Max, Btu/h)	7,509-25,000-37,543
HSPF	10
COP (W/W)	3.1

\*\*\*\*

**Unit Specification**

Refrigerant Type	R410A
Refrigerant Charge (oz)	77.6
ODU Sound Pressure (dB(A))	56
IDU Sound Pressure (dB(A))	42/38/34
ODU Net Weight (lbs)	154.4
IDU Net Weight (lbs)	68.3
Dehumidifying (Pint/h)	5.3

*Fan*

ODU / IDU Type	Axial-flow/Centrifugal
Quantity (ODU + IDU)	1+4
Motor/Drive	Direct Drive
ODU Max Air Flow Rate (CFM)	4000
IDU Air Flow Rate (CFM)	588/441/324

**Compressor**

Cooling Operation Ambient temp. Range	- 0.4~115 °F
Heating Operation Ambient temp. Range	-4~75.2 °F
Compressor Type	Rotary
Fan Motor Output (W)	90
Crankcase Heater	Yes

**Electrical Specification**

Power Supply	208-230V / 60Hz
Communications Wire Size	AWG 12
MOP (A)	30
MCA (A)	20
Cooling Rated Amps (A)	14.23
Heating Rated Amps (A)	17.17
Compressor RLA (A)	14.67
Indoor Fan Motor RLA (A)	0.54
Outdoor Fan Motor RLA (A)	0.65
Nominal Cooling Power Input (kW)	2
Nominal Heating Power Input (kW)	2.3

*Piping*

Liquid Line (in, OD)	1/4
Vapor Line (in, OD)	5/8
Additional Refrigerant (oz./ft.)	0.5
Max Pipe Length (ft.)	98.4
Piping Length (no add'l refrigerant, ft.)	24.6
Max Elevation (ft.)	32.8

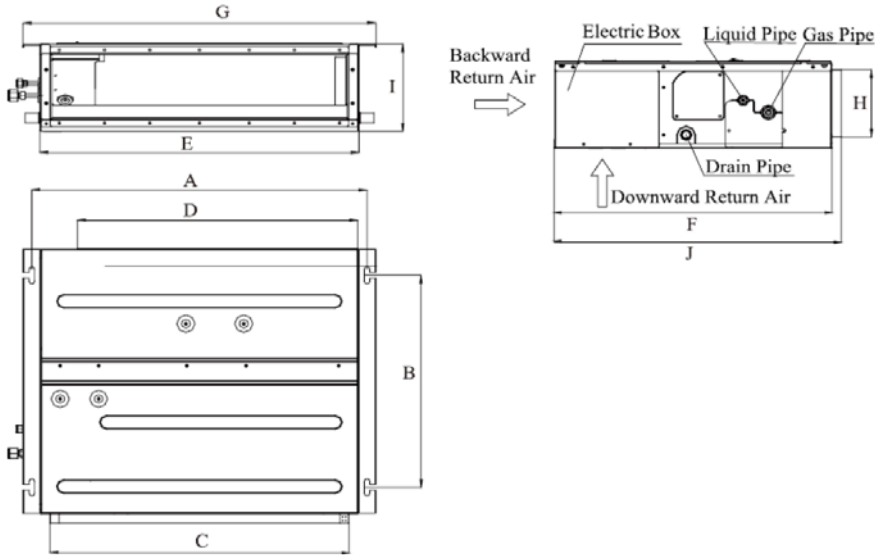


Single zone inverter mini split

MODEL: TW24HTA3D / TM24HFDI

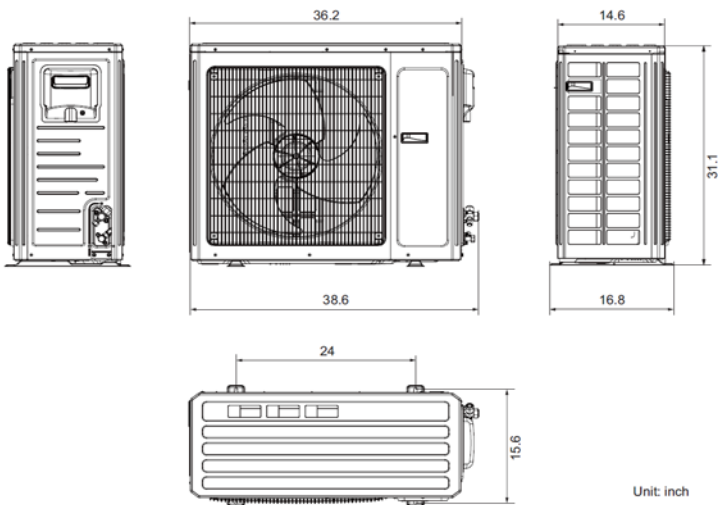
**TOSOT**

**Outline Dimension Diagram**



	mm	Inch
A	1142	44 61/64
B	491	19 21/64
C	1062	41 13/16
D	1020	40 5/32
E	1100	43 5/16
F	615	24 7/32
G	1182	46 17/32
H	156	6 9/64
I	200	4 7/8
J	635	25

24K



Unit: inch

**GLOSSARY**

SEER - Seasonal Energy Efficiency Ratio

EER - Energy Efficiency Ratio

HSPF - Heating Seasonal Performance Factor

MOP - Maximum Overcurrent Protection

MCA - Minimum Circuit Ampacity

**TOSOT**

5965 Chemin de la Côte de Liesse  
Saint laurent, QC, Canada, H4T 1C3

Contact: +1 438 792 1956

[info@tosotusa.com](mailto:info@tosotusa.com)

[www.tosotusa.com](http://www.tosotusa.com)